

RDT5 Series

Recessed Direct T5 Static Troffer - 1' x 4', 2' x 2', 2' x 4'

Project:	
Type:	Catalog #:



FEATURES:

- For recessed mounting, direct/indirect, contemporary, architectural applications provide excellent visual and optical performance. Optimized performance for T5 lamp technology. Twist-lock lampholders are standard.

SPECIFICATIONS:

HOUSING - Heavy gauge, die-formed, cold-rolled steel.

DOOR FRAME - Post-painted steel face panel for clean contemporary appearance.

FINISH - Multi-stage phosphate treated for maximum adhesion and rust resistance. Finished with high-gloss, baked white enamel.

OPTICS - Available in aluminum parabolic with high-side flange available for maximum light efficiency, plastic parabolic or steel straight-blade baffles.

ELECTRICAL - Energy efficient, thermally protected, Class P, HPF, sound rated A, UL Listed, electronic ballasts are standard on all models. Provided with ballast/luminaire disconnect for convenient maintenance.

LISTINGS - UL Listed (standard).

Ordering Matrix and Options

Example: RDT5 24G 328T5 AL S UNV EB

Product Series
RDT5 14 = 1' x 4' Recessed Direct T5 Static Troffer
RDT5 22 = 2' x 2' Recessed Direct T5 Static Troffer
RDT5 24 = 2' x 4' Recessed Direct T5 Static Troffer
 (Consult factory for other sizes)

Ceiling Trim Type
G = Grid (T-Bar)

of Lamps
1 = 1-lite¹
2 = 2-lite
3 = 3-lite
¹Available on 1' x 4' size.
 Note: Number of rows determined by number of lamp configuration
 (Example: 1-lite = 1 row, 2-lite = 2 rows, 3-lite = 3 rows).

Lamp Type
14T5 = 14w T5 (24" nominal)
24T5HO = 24w T5 HO (24" nominal)
28T5 = 28w T5 (48" nominal)
54T5HO = 54w T5 HO (48" nominal)

Louver Type
AL = Semi-specular low iridescent aluminum parabolic baffle
WH = White plastic parabolic baffle
 (Consult factory for available configuration)

Blade Type
X = Convex blade
V = Concave blade
H = Hem Back blade
S = Straight blade

Voltage
120 = 120V
277 = 277V
UNV = 120 to 277V
 (Others available)

Ballast and Options
EB = Electronic ballast, < 10% THD, rapid start
EB2 = Two electronic ballasts*
EM = Emergency battery pack¹
LPI () = Lamp included (specify lamp type and color)
 (Consult factory for other options)
 *Single ballast standard unless this option selected.
 See supplemental page(s) for option details.

Manufacturer reserves the right to make changes to specifications without notice.

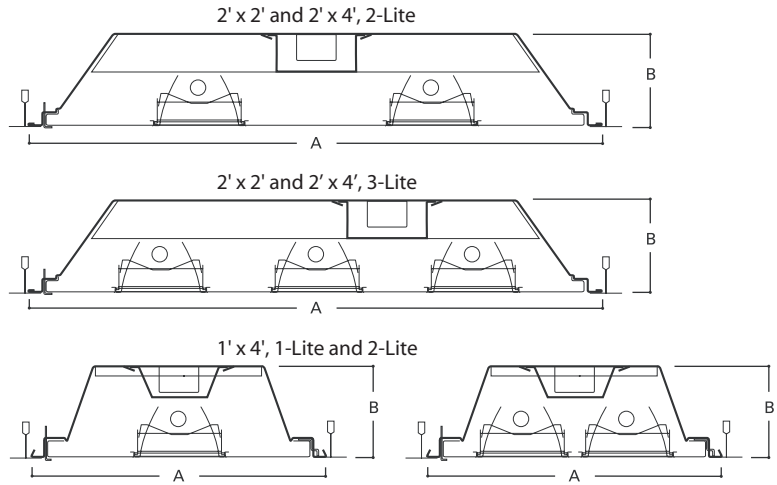
RDT5 Series

Recessed Direct T5 Static Troffer - 1' x 4', 2' x 2', 2' x 4'

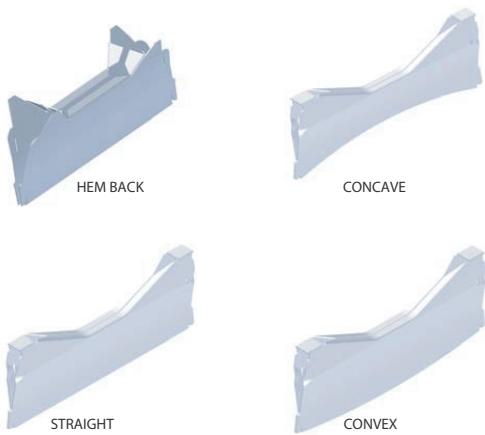
Project:	
Type:	Catalog #:

Dimensions

Model Configuration	A	B	Length
1' x 4'	23-3/4"	4-1/4"	47-3/4"
2' x 2'	23-3/4"	3-1/2"	23-3/4"
2' x 4'	23-3/4"	3-1/2"	47-3/4"



Blade Options



Manufacturer reserves the right to make changes to specifications without notice.