

# PRVF4 / PRS403

4" Compact Fluorescent Vertical Downlight

4" Vertical Open Reflector

Project:	
Type:	Catalog #:



### DESCRIPTION

- Four inch compact fluorescent recessed vertical housing for new construction. Must be installed at least 3" away from insulation. UL listed.

### FEATURES

- Heavy duty steel frame with die-cast aluminum socket housing with thermoplastic sockets.
- Integral ballast with thermal protector for overlampping.
- Universal mounting bracket adjusts for multiple ceiling types and accepts straight bar, C-Channel and 1/2" EMT.
- (4) 1/2", (1) 3/4" and (4) Romex knockouts with pry-out slots.
- Junction box UL listed for through-branch circuit wiring.

### REFLECTOR

- Semi-specular, low-iridescent aluminum reflector
- Available in various finishes

### BALLASTS

Electronic 120/277V ballast:  
13/18/26w, 4 pin, triple tube or quad lamp, UL listed, HPF, Class P, Sound rated A, Starting temperature: 0 degree F, Max. THD: <10%.

### EMERGENCY OPTIONS

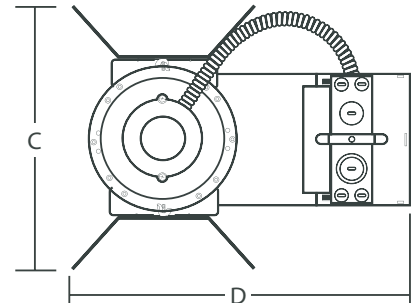
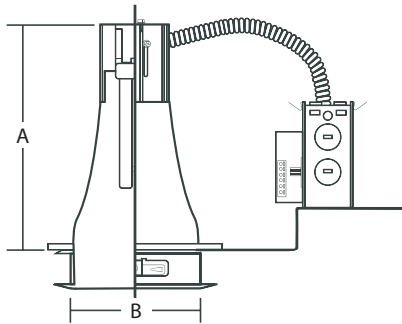
Emergency battery option available for 90 minute lamp operation. Includes charger, inverter circuit and is factory-installed.

### LISTINGS

- UL Damp location listed.
- UL Feed through listed.

### Dimensions

A	Height	9-1/4"
B	Trim Opening	4-3/16"
C	Width	12-1/8"
D	Length	13-5/8"

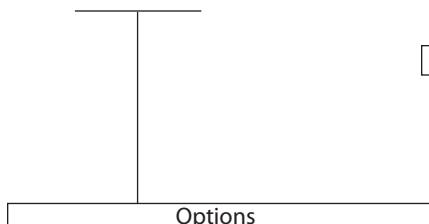


\* Keep fixture at least 3" away from insulation.

### Ordering Matrix and Options

Example: **PRVF418 UNV EL / PRS403C**

Series	Lamp Type	Voltage
<b>PRVF4</b>	<b>13</b> (1) 13w	<b>120</b> -120V
	<b>18</b> (1) 18w	<b>277</b> -277V
	<b>26</b> (1) 26w	<b>UNV</b> -120/277V
	<b>32</b> (1) 32w	(Consult factory for others).
	<b>42</b> (1) 42w	



### PRS403

Cat. #	Reflector	Trim
	<b>C:</b> Clear	<b>blank:</b> White (plastic trim)
	<b>W:</b> White	<b>C:</b> Clear
	<b>G:</b> Gold	
	<b>PWT:</b> Pewter	
	<b>MO:</b> Mocha	

(See attached reflector and trim options for more details.)

- EL:** Electronic Ballast  
**EM:** Emergency w/ remote test switch  
**EM2:** Emergency w/ test switch in reflector  
**DIM:** Dimming Ballast (electronic)  
 (Consult factory for other options.)

Manufacturer reserves the right to make changes to specifications without notice.