

# PRA7X AT / PRS10

6" CFL Downlight Air-Tight IC Rated - New Construction

6" Open Reflector and Trim

Project:	
Type:	Catalog #:



## DESCRIPTION

- Six inch CFL recessed air-tight IC rated downlight for commercial or residential new construction applications. For use insulated ceilings. Designed for direct contact with insulation. UL listed.

## FEATURES

- Heavy duty steel frame with 4-Pin thermoplastic sockets.
- Integral ballast with thermal protector for overlampping.
- Adjustable hanger bars up to 24" and can be repositioned for easy installation.
- (7) 1/2" and (4) Romex knockouts with pry-out slots.
- Junction box UL listed for through-branch circuit wiring.

## REFLECTOR

- Semi-specular, low-iridescent aluminum reflector.
- Available in clear and white finishes.

## BALLASTS

Electronic 120V ballast: 13/18/26w, 4-Pin lamp type, UL listed, HPF, Class P, Sound rated A, Starting temperature: 0 degree F, Max. THD: <10%. Consult factory for other voltages.

## EMERGENCY OPTIONS

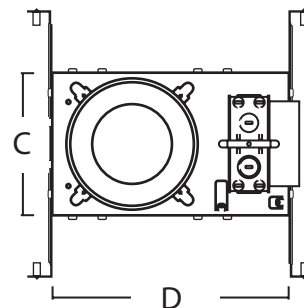
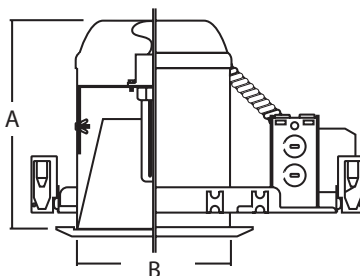
Emergency battery option available for 90 minute lamp operation. Includes charger, inverter circuit and is factory-installed.

## LISTINGS

- UL Damp location listed.
- UL Feed through listed.
- UL listed for direct contact insulation.

## Dimensions

A	Height	7-1/2"
B	Trim Opening	6-1/2"
C	Width	7-1/2"
D	Length	10-1/2"



## Ordering Matrix and Options

Series	Lamp Type	Voltage
PRA7X AT	13 (1) 13w	blank -120V
	18 (1) 18w	277 -277V
	26 (1) 26w	UNV -120/277V (Consult factory for others).

	Options
--	---------

- EL:** Electronic Ballast
  - EM:** Emergency w/ remote test switch
  - EM2:** Emergency w/ test switch in reflector
  - DIM:** Dimming Ballast (electronic)
- (Consult factory for available configurations.)

Example: **PRA7XAT-26EL / PRS10C**

PRS10	Reflector	Trim
Cat. #	C: Clear W: White	blank: White (plastic trim) C: Clear

(Consult factory for other available options.)

Manufacturer reserves the right to make changes to specifications without notice.