

PRA7X AT / PRL61P-C

6" CFL Downlight Air-Tight IC Rated - New Construction

6" Drop Opal Shower Lens

Project:	
Type:	Catalog #:



DESCRIPTION

- Six inch CFL recessed air-tight IC rated downlight for commercial or residential new construction applications. For use insulated ceilings. Designed for direct contact with insulation. UL listed.

FEATURES

- Heavy duty steel frame with 4-Pin thermoplastic sockets.
- Integral ballast with thermal protector for overlampping.
- Adjustable hanger bars up to 24" and can be repositioned for easy installation.
- (7) 1/2" and (4) Romex knockouts with pry-out slots.
- Junction box UL listed for through-branch circuit wiring.

REFLECTOR

- Semi-specular, low-iridescent aluminum reflector.
- Available in various finishes.

BALLASTS

Electronic 120/277V ballast: 13/18/26w, 4-Pin, triple tube or quad lamp, UL listed, HPF, Class P, Sound rated A, Starting temperature: 0 degree F, Max. THD: <10%.

EMERGENCY OPTIONS

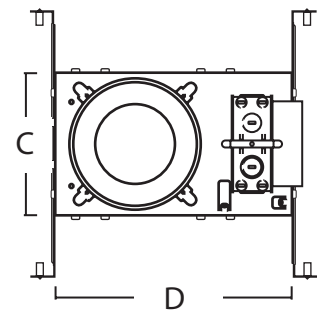
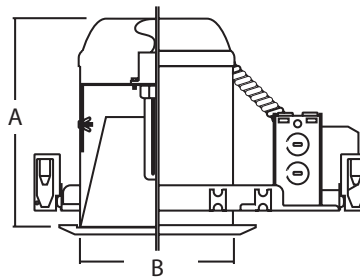
Emergency battery option available for 90 minute lamp operation. Includes charger, inverter circuit and is factory-installed.

LISTINGS

- UL Damp location listed.
- UL Feed through listed.
- UL listed for direct contact insulation.

Dimensions

A	Height	7-1/2"
B	Trim Opening	6-1/2"
C	Width	7-1/2"
D	Length	10-1/2"



Ordering Matrix and Options

Example: **PRA7XAT 18 UNV / PRL61P-C**

Series	Lamp Type	Voltage
--------	-----------	---------

PRA7X AT	13 (1) 13w	blank -120V
	18 (1) 18w	277 -277V
	26 (1) 26w	UNV -120/277V (Consult factory for others).

Options

EL: Electronic Ballast
EM: Emergency w/ remote test switch
EM2: Emergency w/ test switch in reflector
DIM: Dimming Ballast (electronic)
 (Consult factory for other options.)

PRL61P *

Cat. #	Reflector	Trim
--------	-----------	------



C: Clear	blank: White (plastic trim)
W: White	MW: White (metal trim)
G: Gold	C: Clear
PWT: Pewter	
MO: Mocha	

(Consult factory for other available options.)
 * Wet location listed for drop opal shower lens.

Manufacturer reserves the right to make changes to specifications without notice.