

# PFHS

## 11" Square Recessed Downlight

### Regressed Prismatic Lens

Project:	
Type:	Catalog #:



#### DESCRIPTION

- Eleven inch compact fluorescent recessed horizontal lamping downlight for new construction. Must be installed at least 3" away from insulation. UL listed.

#### FEATURES

- Heavy duty steel housing with horizontal mounting thermoplastic sockets.
- Heavy duty white regressed door frame.
- Extendable hanger bars for re-positioning and installation adjustment.
- (2) 1/2" / 3/4" knockouts and (4) 1/2" knockouts straight-through conduits.
- Galvanized steel junction box with access covers for through-branch circuit wiring.
- Gasketed flanged on perimeter of door frame.

#### DIFFUSER

Prismatic tempered glass lens standard. Consult factory for other available optics.

#### BALLAST

- Electronic 120/277V ballast:
- 13/18/26/32/42w
  - 4 pin, double twin tube or triple tube lamp
  - Class P, HPF, UL listed.
  - Mounted to junction box.

#### EMERGENCY OPTIONS

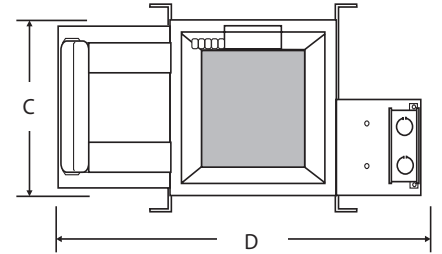
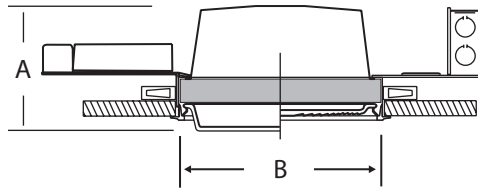
Optional emergency battery unit available for 90 minute lamp operation, including remote test switch and is factory-installed.

#### LISTINGS

- UL Damp Location listed.
- UL Feed Through listed.
- UL Wet Location listed.

#### Dimensions

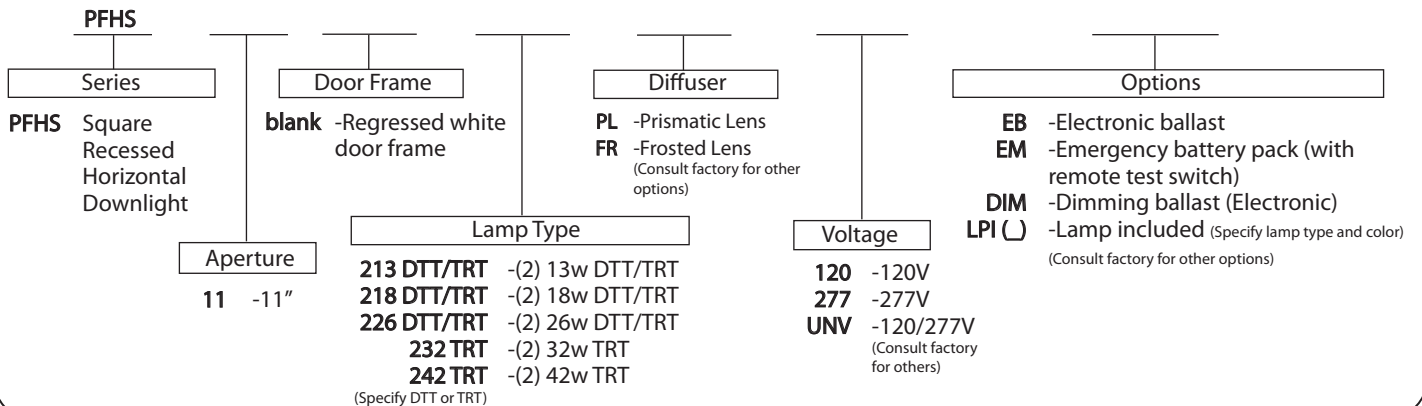
A	Height	6"
B	Ceiling Opening	11-1/4"
C	Width	13-1/4"
D	Length	24"



\* Keep fixture at least 3" away from insulation. Dimensions may vary based on configuration.

#### Ordering Matrix and Options

Example: **PFHS 11 226DTT PL UNV EB**



Manufacturer reserves the right to make changes to specifications without notice.