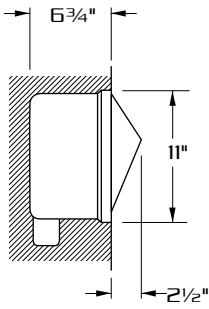
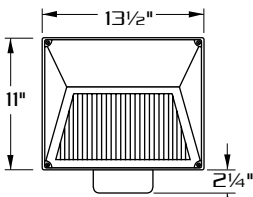


[100 WATT MAX.]



SIDE VIEW



FRONT VIEW



SPECIFICATIONS

HOUSING: CORROSION RESISTANT, DURABLE CAST ALUMINUM CONSTRUCTION. CAST ALUMINUM J-BOX IS SUPPLIED WITH (2) 1/2" N.P.T. CONDUIT ENTRIES AT BOTTOM

FACE PLATE: CORROSION RESISTANT, DURABLE CAST ALUMINUM CONSTRUCTION.

OPTICS: (STD) SEGMENTED SPECULAR ALUMINUM REFLECTOR COMBINES WITH LINEAR PRISMATIC GLASS LENS (3/16") TO PROVIDE SYMMETRIC WIDE ANGLE DOWNWARD ILLUMINATION. (SEE ORDERING INFORMATION FOR OTHER OPTICS)

GASKETING: HIGH TEMPERATURE SILICONE.

LAMP HOLDER: MEDIUM BASE PORCELAIN.

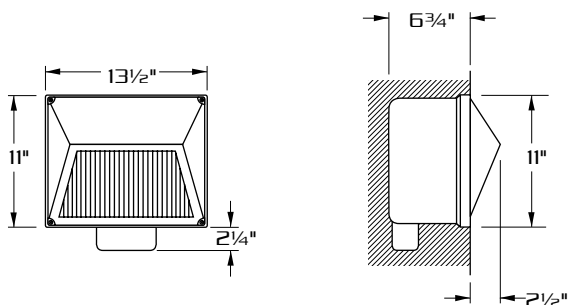
LAMP: (BY OTHERS)

BALLAST: H.P.F./C.W.A. AUTOTRANSFORMER, -20° STARTING TEMPERATURE. ELECTRICAL COMPONENTS ARE MOUNTED TO HINGED, REMOVABLE TRAY.

FINISH: POLYESTER POWDER COAT-STATE OF THE ART 20 PSI PRESSURE POWER WASH AT 140° TEMPERATURE INCORPORATES FOUR STEP IRON PHOSPHATE PROCESS TO CLEANSE AND PRETREAT THE METAL SURFACE FOR MAXIMUM PAINT ADHESION. ELECTROSTATICALLY APPLIED TEXTURED POLYESTER POWDER TOPCOAT IS BAKED AT 400° TEMPERATURE FOR MAXIMUM HARDNESS AND EXTERIOR DURABILITY.



[100 WATT MAX.]



ORDERING INFORMATION

MODEL NO. : RWP	OPTICS	WATTAGE TYPE VOLTAGE	FINISH	OPTIONS																					
MODEL NO. : RWP	OPTICS	LAMP	FINISH	OPTIONS																					
	<input type="checkbox"/> SYMMETRIC, WIDE ANGLE DOWNLIGHT SYM-D <input type="checkbox"/> ASYMMETRIC, RIGHT SIDE BEAM DOWNLIGHT ASY-R <input type="checkbox"/> ASYMMETRIC, LEFT SIDE BEAM DOWNLIGHT ASY-L <input type="checkbox"/> SYMMETRIC, WIDE ANGLE UPLIGHT SYM-U <input type="checkbox"/> SYMMETRIC, CAST BAFFLE UPLIGHT SYM-C <input type="checkbox"/> SYMMETRIC, CAST BAFFLE UPLIGHT WITH GUARD SYM-CG	<table border="0"> <tr> <td>WATTAGE</td> <td>TYPE</td> <td>VOLTAGE</td> </tr> <tr> <td><input type="checkbox"/> 100</td> <td><input type="checkbox"/> HPS</td> <td><input type="checkbox"/> 120</td> </tr> <tr> <td><input type="checkbox"/> 75</td> <td><input type="checkbox"/> MH</td> <td><input type="checkbox"/> 208</td> </tr> <tr> <td><input type="checkbox"/> 70</td> <td><input type="checkbox"/> MV</td> <td><input type="checkbox"/> 240</td> </tr> <tr> <td><input type="checkbox"/> 50</td> <td><input type="checkbox"/> INC</td> <td><input type="checkbox"/> 277</td> </tr> <tr> <td></td> <td></td> <td><input type="checkbox"/> 480</td> </tr> <tr> <td></td> <td></td> <td><input type="checkbox"/> MT</td> </tr> </table>	WATTAGE	TYPE	VOLTAGE	<input type="checkbox"/> 100	<input type="checkbox"/> HPS	<input type="checkbox"/> 120	<input type="checkbox"/> 75	<input type="checkbox"/> MH	<input type="checkbox"/> 208	<input type="checkbox"/> 70	<input type="checkbox"/> MV	<input type="checkbox"/> 240	<input type="checkbox"/> 50	<input type="checkbox"/> INC	<input type="checkbox"/> 277			<input type="checkbox"/> 480			<input type="checkbox"/> MT	STANDARD TEXTURED FINISH <input type="checkbox"/> BLACK RAL-9005-T <input type="checkbox"/> WHITE RAL-9003-T <input type="checkbox"/> GREY RAL-7004-T <input type="checkbox"/> DRK BRONZE RAL-8019-T <input type="checkbox"/> GREEN RAL-6005-T FOR SMOOTH FINISH REMOVE SUFFIX "T" (EXAMPLE: RAL-9500) SEE WEBSITE FOR ADDITIONAL COLORS	<input type="checkbox"/> SINGLE FUSE (120V., 277V)..... SF <input type="checkbox"/> DOUBLE FUSE (208V., 240V)..... DF
WATTAGE	TYPE	VOLTAGE																							
<input type="checkbox"/> 100	<input type="checkbox"/> HPS	<input type="checkbox"/> 120																							
<input type="checkbox"/> 75	<input type="checkbox"/> MH	<input type="checkbox"/> 208																							
<input type="checkbox"/> 70	<input type="checkbox"/> MV	<input type="checkbox"/> 240																							
<input type="checkbox"/> 50	<input type="checkbox"/> INC	<input type="checkbox"/> 277																							
		<input type="checkbox"/> 480																							
		<input type="checkbox"/> MT																							