

LOW BAY INDUSTRIAL LIGHTING

Project Name:	
Type:	Notes:
Catalog #:	

PLB - Low Bay Series



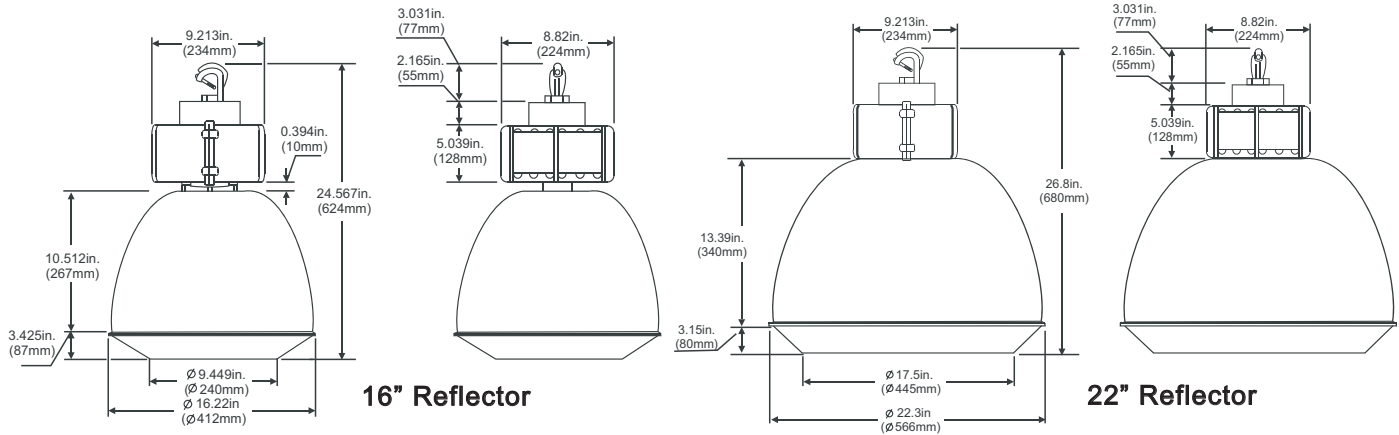
Applications

For low to medium ceiling applications including factories, foundries, machine shops, warehouse and large retail stores.

Specification Features

- Superior heavy duty die-cast aluminum construction with standard white powdercoat finish.
- Mogul base socket-E39 standard.
- Hook included for convenient mounting installation.
- Available lenses in conical, drop acrylic lens and flat tempered glass lens.
- High power factor, multi-tap ballast available. Provided in High Pressure Sodium or Metal Halide, 400 Watt max.
- Reflector available in 16 or 22 inches.
- U.L. or CSA listed for damp locations.

Dimensions



LOW BAY INDUSTRIAL LIGHTING

Ordering Information

Example: PLBE AL16 250 P QV DL LPI

Series	Reflector	Size	Wattage	Ballast Type	Voltage	Options
PLB - Open Low Bay	AL - Aluminum Reflector	16 - 16"	150 - 150W	M - Metal Halide (HPF-CWA)*	120 - 120V	CL - Conical Lens
		22 - 22"	175 - 175W		208 - 208V	
PLBE - Enclosed Low Bay (lensed)	AR - Acrylic Reflector	(Consult factory for other sizes.)	250 - 250W	P - Pulse Start	277 - 277V	FG - Flat Glass Lens
		(Consult factory for others.)	400 - 400W	H - High Pressure Sodium (HPF-CWA)	480 - 480V	WG - Wire Guard
				(*Metal Halide is only available in 150W. 175 - 400W is Pulse Start type.)	QV - Quad Voltage	SFC__ - Safety Chain (Specify length, Example: SFC24 = 24" Chain)
						QRS - Quartz Restrike
						LPI - Lamp included (Consult factory for additional options.)

U.S. Patriot Lite reserves the right to make changes to specifications without notice.