

85

HIGH ABUSE SERIES

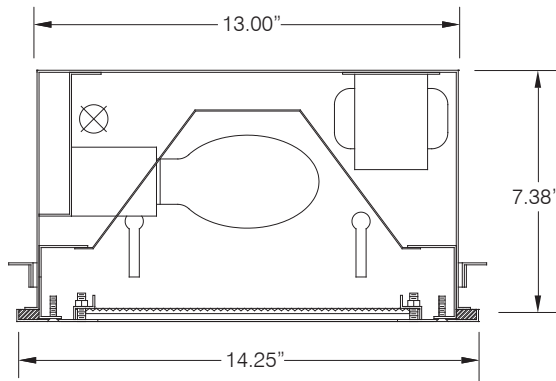
RECESSED FLANGE LUMINAIRE

INCANDESCENT / FLUORESCENT / HPS / MH
13" x 13-3/4" x 7-3/4"



PROJECT:
TYPE:
PRODUCT NUMBER:
APPROVED BY:
DATE:

DIMENSIONAL DATA



DESCRIPTION

New Star's 85 luminaire excels at low maintenance while delivering unequalled performance with all popular HID, compact fluorescent or incandescent lamping. Our heavy gauge steel housing and a one piece die formed door frame are features that provide maximum durability. This unit is iron phosphate pre-treated and finished in white oven baked polyester powder coat ensures a hard-wearing finish. The lens is available in a flat or dropped lens configuration. This fixture is supplied complete with plaster frame mounting yoke. This is an exceptionally high quality product that provides uninterrupted performance in recessed security lighting for any demanding situation.

APPLICATION

- Parking Garages
- Industrial Buildings
- Schools
- Building Canopies
- Detention Centers
- Stairways
- Gymnasiums

SPECIFICATION FEATURES

HOUSING:
18 gauge formed cold rolled steel housing with continuous seam welds.

DOOR:
One piece die formed in CRS and stainless steel.

HINGE:
16 ga. continuous, staked -on piano hinge with welded end to prevent removal.

LENS:
Polycarbonate or tempered glass lens sealed to frame.

LENS RETAINER:
14 gauge cold rolled steel retaining angles attached to through door studs for positive lens clamping.

ELECTRONICS:
Electronic Ballast <10% THD standard. NPF is standard for HID.

GASKET:
Black polyurethane around inside perimeter of door frame to seal out dust and prevent light leaks.

FASTENERS:
Tamper resistant Torx head screws with center pin reject.

FINISH:
Polyester powdercoat with 92% reflectance, following a 5 stage iron phosphate pre-treatment.

LABEL: cULus



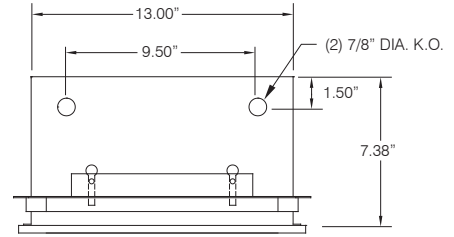
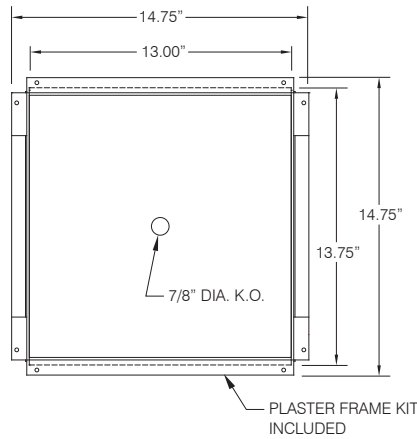
Notes:
Specifications and Dimensions are subject to change without notice. For additional options and dimensional details please consult your New Star Lighting Representative. For specific electronic ballast, specify brand and catalog number. The New Star Promise will repair or replace any high abuse fixture when installed according to New Star's instructions for the life of the original installation if the fixture should fail due to physical abuse.



85
HIGH ABUSE SERIES
RECESSED FLANGE LUMINAIRE

INCANDESCENT / FLUORESCENT / HPS / MH
13" x 13-3/4" x 7-3/4"

MOUNTING DIMENSIONS



ORDERING INFORMATION

85 RECESSED FLANGE LUMINAIRE
HIGH ABUSE SERIES

<p>Product Family</p> <p>850</p> <p>850 13" x 13-3/4" x 7-3/4"</p>	<p># of Lamps</p> <p>1 = 1 Lamp 2* = 2 Lamp</p> <p>*CFL lamp only</p>	<p>Lamp Type</p> <p>100 = 100W A21 E26 Med 13TW = 13W Twin Gx23 13E = 13W Twin 2Gx7 13 = 13W Triple Gx24q-1 13Q = 13W Quad G24q-1 18 = 18W Triple Gx24q-2 18Q = 18W Quad G24q-2 26 = 26W Triple Gx24q-3 26Q = 26W Quad G24q-3 32 = 2W Triple Gx24q-3 42 = 42W Triple Gx24q-4 50 = 50W MH Med 57* = 57W CFL Gx24q-5 100M = 100W MH Mogal 100H = 100W HPS Mogal</p> <p>*1 lamp only</p>	<p>Outer</p> <p>Ø = No Lens 1* = .156 Clear Polycarbonate 5 = .187 Clear Tempered Glass 6 = .250 Clear Tempered Glass 7 = .375 Clear Tempered Glass</p> <p>*CFL lamp only</p>	<p>Inner</p> <p>Ø = No Lens C* = .156 Prismatic Polycarbonate E = .156 Prismatic Tempered Glass L = .187 Prismatic Tempered Glass</p> <p>*CFL lamp only</p>
---	---	---	---	---

<p>Voltage</p> <p>12 = 120V 27 = 277V</p>	<p>Options</p> <p>EM = Emergency Battery (350-700 Lumens) for CFL FZ = GLR fuse and holder QR = Quartz Restrike (MH & HPS only) lamp by others AL = Aluminum door frame (white finish) SS = Stainless Steel door frame (#4 finish) DL* = Injection molded drop lens</p> <p>* Replaces inner and outer lens</p>
---	--

Notes:
Specifications and Dimensions are subject to change without notice. For additional options and dimensional details please consult your New Star Lighting Representative. For specific electronic ballast, specify brand and catalog number. The New Star Promise will repair or replace any high abuse fixture when installed according to New Star's instructions for the life of the original installation if the fixture should fail due to physical abuse.