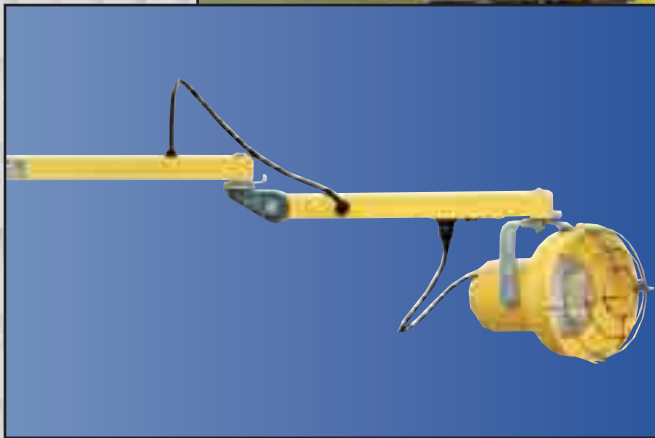


PHOENIX[®]

docklite[®]



INDEX	PAGE
Standard Modular <i>docklite</i>	2-5
Accessories	6
Operating Cost Comparison	7
Impact-Resistant <i>docklite</i>	8
Wet-Location <i>docklite</i>	9
Explosion-Proof <i>docklite</i>	10
Dimensions	11-12
Overhead Pull-down <i>docklite</i>	13
Light Level Comparison	14

Modular

Phoenix Products introduced loading dock lighting to the world more than four decades ago. Since then, we've developed the broadest line of dock lights in the industry. We've introduced many important innovations, like our modular design, to offer increasing value. Today, we use the best materials and the smartest design to deliver the toughest dock lights available.

Dock lighting

illuminates truck trailers, allowing workers to load and unload faster with fewer mistakes and reduced risk of accidents. Adjusting the position of the head and the arm allows the light to be aimed at the front or back of the trailer, into corners, or high above stacked boxes. If an errant fork truck strikes the fixture, the docklite simply swings out of the way.



Cover and above photo courtesy of Roadway Express, Inc. Milwaukee, WI



Task lighting illuminates work spaces, allowing tasks to be done faster, safer, more comfortably, and with fewer mistakes. Adjusting the position of a task light allows workers to minimize shadows or glare and maximizes the flexibility of their work space. Task lighting should be considered for any work station where precision is required.

Around rotating machinery, use incandescent or fluorescent task lighting only. Do not use high intensity discharge (HID) lighting, such as high pressure sodium or metal halide. These HID sources exhibit a strobe effect which can make the rotating motion and its timing dangerously difficult to determine.

Modular

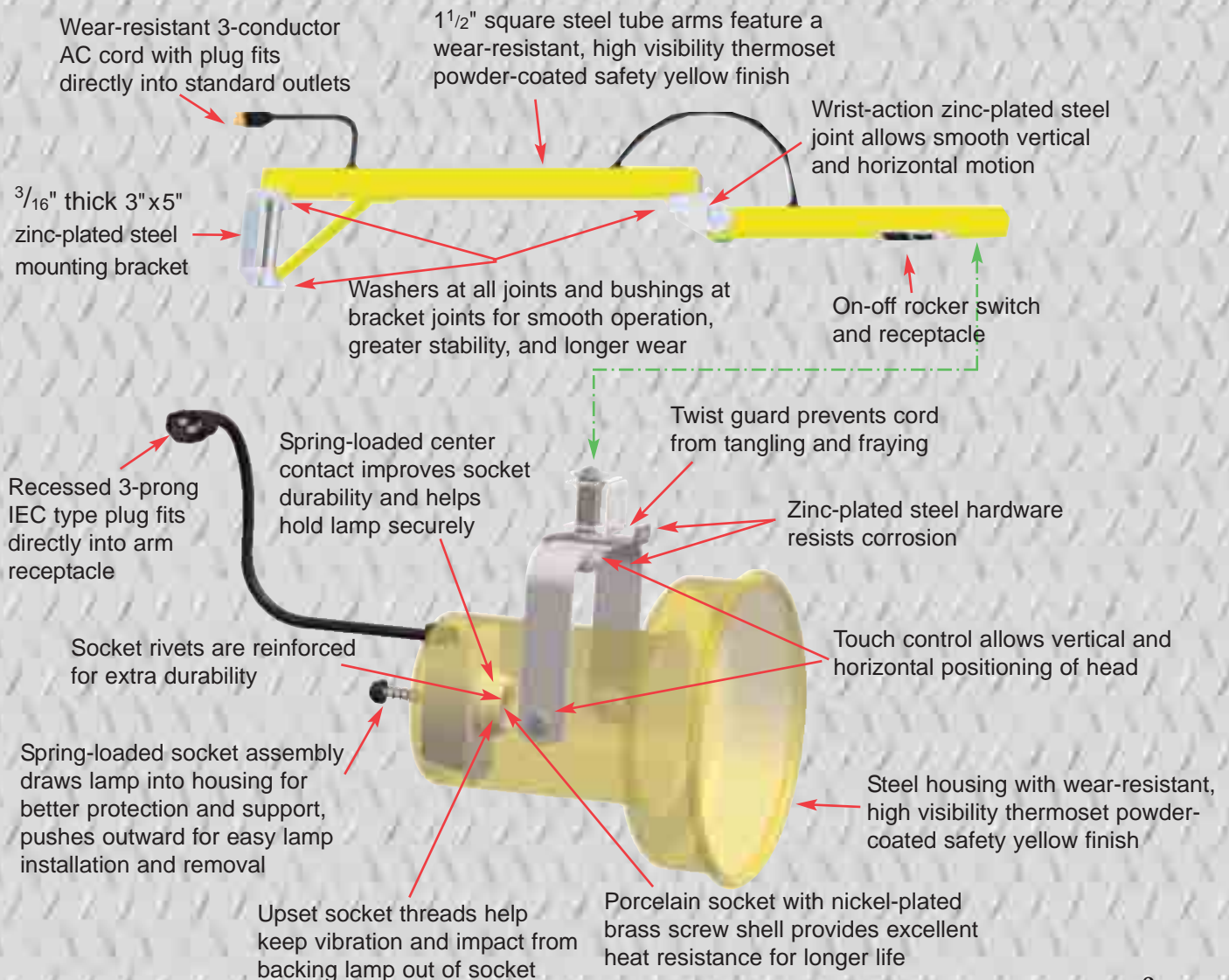


Modular design means lower maintenance costs and greater flexibility. If a light head is damaged, keep the arm and replace just the head. If a different lamp type is desired, simply plug a new head into the existing arm.

Quality materials and insightful design make the Phoenix docklight the toughest dock light available. Shown above and below are the 42" arm and incandescent head.

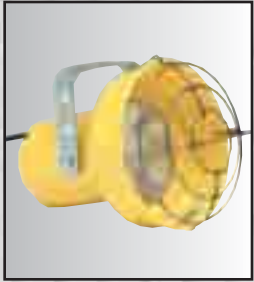
3-Year Limited Warranty

against defects in material and workmanship. See Standard Terms and Conditions for details.



Modular

Light heads include a recessed 3-prong IEC type plug which will plug directly into the receptacle of any single or double-strut modular arm. *One light head and one single or double-strut arm make a complete modular dock light.* Accessories are listed on page 6.



Incandescent/Halogen (INC)

- Lowest initial cost
- Instant on
- Excellent color rendering
- Up to 4,200 hours lamp life
- Output: Up to 3,700 lumens

Up to 300 watts. Flood Type

Lamp is not included. Uses PAR or R lamps.
Wire Guard Included.



Metal Halide (MH)

- Low operating cost
- Excellent color rendering
- Requires brief start-up
- Up to 15,000 hours average lamp life
- Output: Up to 9,000 lumens

Available in 50, 70, and 100 watts.

Lamp and glare guard are included.
Uses open fixture rated ED17 lamps.



High Pressure Sodium (HPS)

- Lowest operating cost
- Requires brief start-up
- Acceptable color rendering for most dock applications
- 24,000+ hours average lamp life
- Output: Up to 9,500 lumens

Available in 50, 70, and 100 watts.

Lamp and glare guard are included.
Uses ED17 lamps.



500 Watt Quartz Halogen (QH)

- Instant on
- Excellent color rendering
- Up to 3,000 hours lamp life
- Output: Up to 11,100 lumens

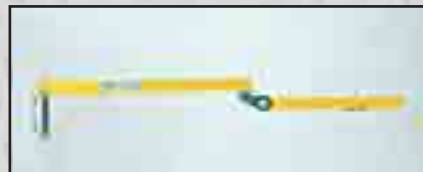
500 watts.

Lamp and wire guard are included.
Uses 500 watt T3 lamps.

Single-strut arms are made from 1¹/₂" square steel tubes, have a ³/₁₆" thick 3" x 5" steel mounting bracket and standard 3-conductor AC cord with standard 3-prong plug. A wrist-action joint (on 42", 60", and 90" arms) permits multi-directional movement. An "on/off" rocker switch controls power to the head.



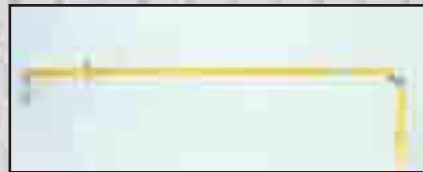
Single-Strut
24" Arm



Single-Strut
42" Arm



Single-Strut
60" Arm



Single-Strut
90" Arm

Double-strut arms are made from 1¹/₂" square steel tubes and have a 3-conductor AC cord with a standard 3-prong plug. An "on/off" rocker switch controls power to one of the two receptacles. Operate a light head/fan combination. A ³/₁₆" thick steel bracket with a 5" x 17" footprint and three steel braces easily support extra weight. See photo on page 6.



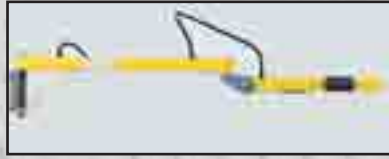
Double-Strut
42" Arm



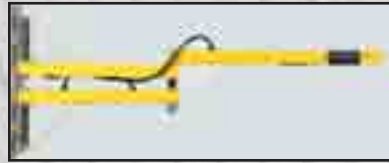
Double-Strut
60" Arm

Modular

Spring arms are made from 1½" square steel tubes and have a 3-conductor AC cord with a standard 3-prong plug. An "on/off" rocker switch controls power to the receptacle. Heavy-duty steel spring with black e-coat finish that won't crack, flake or peel. Available in single-strut and double-strut styles.
(not for use with fan accessory).



Single-Strut
42" Spring-Arm



Double-Strut
42" Spring-Arm

Ordering Information

Order one light head and one arm for a complete fixture. 120 volt is standard on heads and arms. Standard arm is single-strut.

Modular light heads

Series	Wattage / Type	Part	Options
DL	INC	LH	277
DL	INC: Incandescent 50HPS: 50 watt HPS 70HPS: 70 watt HPS 100HPS: 100 watt HPS 50MH: 50 watt MH 70MH: 70 watt MH 100MH: 100 watt MH 500QH: 500 watt QH	LH	277: 277 Volt ¹ INTL: International ²

Modular arms

Series	Length	Part	Options
DL	42	ARM	DS
DL	24: 24" 42: 42" 60: 60" 90: 90"	ARM	277: 277 Volt ¹ DS: Double-strut ³ INTL: International ⁴ SP: Spring Arm ⁵

¹ Not available on incandescent or 500QH head. 277 volt arms do not have a plug on cord. Do not use 277 volt arms with fan accessory. *Head and arm voltages must match.*

² Available on incandescent and 50HPS heads only. No UL or cUL certification. No plug on cord. Incandescent head operates on maximum 250 volt, 50/60 Hz. HPS head operates on 220/240 volt, 50 Hz.

³ Double-strut arms available in 42" and 60" lengths only.

⁴ International arms have no UL or cUL certification and do not have a plug on cord. Operate on maximum 250 volt, 50/60 Hz.

⁵ Spring- arms not for use with fan accessory. Not available in 90" length. Double-Strut Spring arms also available.

Accessories available include a fan, wire guard, glare guard, and other items. See page 6.

Technical Data

Wiring: Light head has a 3-conductor cord with a recessed 3-prong (IEC type) grounding plug, which plugs into arm receptacle. Arm has a 3-conductor cord with a 3-prong grounding plug which plugs directly into standard outlets. Wiring and connections are inside arm.

Weight in pounds (kg):

Incandescent head	6 (2.7)			
MH and HPS heads	10 (4.5)			
Quartz Halogen head	7 (3.2)			
Single-strut arms	24"	42"	60"	90"
	8 (3.6)	10 (4.5)	12 (5.5)	22 (10.0)
Double-strut arms	42"	60"		
	15 (6.8)	18 (8.2)		

Color: All heads and arms are Safety Yellow.

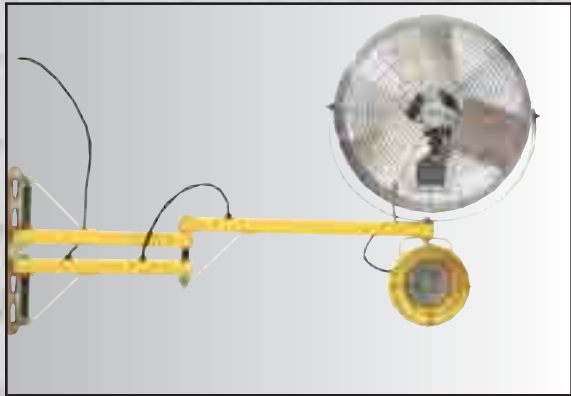
Dimensions: Please refer to pages 11-12.

Compliances

Modular light heads and arms are UL and cUL listed.



Accessories



Fan, 18" in diameter, operates at 3 speeds providing up to 5500 CFM circulation. Front and rear chrome-plated safety grilles enclose the blades. Rotates 360° vertically and horizontally. Fan plugs directly into double-strut arm.

Weight: 18 lbs. (8.2 Kg).
Dimensions: See page 13.
To support the fan's weight or for a second receptacle, use only with double-strut modular arms.

Order: DL-18-FAN



Light Head Handle allows user to aim fixture without touching light head. Fits IR fixtures and incandescent, HPS, and MH modular heads. Adjustable strap permits flexible handle positioning for ease of operation.

Order: LH-1



Universal Mounting Bracket enables wall mounting of Impact-Resistant model DL-INC-IR to accommodate overhead doors that open inward. Mounts at or above door header – out of the way of equipment and freight movement. Minimizes possibility of a door closing on light fixture.

Order: UB-1



Wire Lamp Guard provides maximum protection against lamp theft and damage. Recommended for fixtures near combustible materials. Meets OSHA requirements for lamp and personnel protection. Installs easily. Hinged for relamping. Will not fit over glare guards. 7 1/2" (19 cm) diameter. For modular heads and IR models.

Order: WG-R



Glare Guards reduce peripheral glare and protect against lamp theft and damage. Meet OSHA requirements for lamp and personnel protection. 7 1/2" (19 cm) diameter for incandescent modular and IR models (comes standard on modular HPS and MH models). 6" (15.2 cm) diameter for UL-DHR and UL-SBR models.

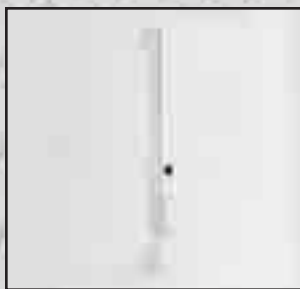
Order: GG-1 (Incand., IR)

Order: GG-2 (UL-DHR, -SBR)



Polycarbonate Guard protects against lamp damage and contains any glass from a broken lamp. Ideal for food processing applications. Use only with fixtures rated for 70 watts or less.

Order: PG-1



Addjustable Wall Bracket enables height adjustment of single-strut arms under 60". 22" (55.9 cm) travel.

Order: WB-22



Swing Stop Kit for use with wall-mounted models. Limits fixture swing preventing overhead door damage. Adjustable through 180°. Installs easily.

Order: SS-1

The chart below compares the operating costs of various fixture types based on 5,000 hours of operation annually. Light levels are compared on the back cover.

	<u>50 HPS</u>	<u>70 HPS</u>	<u>100 HPS</u>	<u>50 MH*</u>	<u>70 MH*</u>	<u>100 MH*</u>	<u>150 BR/FL</u>	<u>300 BR/FL</u>	<u>500 QH</u>
Input Watts	62	86	115	72	102	141.6	150	300	500
Lamp Life (hours)	24,000	24,000	24,000	10,000	15,000	15,000	2,000	2,000	3,000
Lamps Required Annually	0.21	0.21	0.21	0.50	0.33	0.33	2.50	2.50	1.67
Approximate Lamp Cost (each)**	\$20.00	\$20.00	\$20.00	\$30.00	\$30.00	\$30.00	\$5.00	\$14.00	\$8.00
Annual Lamp Cost	\$4.17	\$4.17	\$4.17	\$15.00	\$10.00	\$10.00	\$12.50	\$35.00	\$13.33
Labor Charge per Lamp Change	\$5.00	\$5.00	\$5.00	\$5.00	\$5.00	\$5.00	\$5.00	\$5.00	\$5.00
Annual Lamp Change Labor Cost	\$1.04	\$1.04	\$1.04	\$2.50	\$1.67	\$1.67	\$12.50	\$12.50	\$8.33
Energy Cost @ .10/kWh	<u>\$31.00</u>	<u>\$43.00</u>	<u>\$57.50</u>	<u>\$36.00</u>	<u>\$51.00</u>	<u>\$70.80</u>	<u>\$75.00</u>	<u>\$150.00</u>	<u>\$250.00</u>
Total Annual Operating Costs	\$36.21	\$48.21	\$62.71	\$53.50	\$62.67	\$82.47	\$100.00	\$197.50	\$271.66

* Metal halide fixtures use open fixture rated lamps.

** Lamp prices may vary.

Impact-Resistant

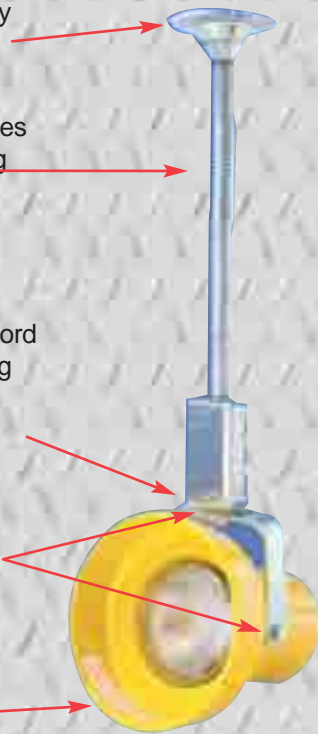
Can be attached to any 3" or 4" junction box

Spring suspension flexes when struck, absorbing impact and minimizing any potential damage

Twist guard prevents cord from tangling by limiting head rotation

Touch control allows vertical and horizontal positioning of head

Steel housing with wear-resistant, high visibility thermoset powder-coated safety yellow finish



Impact-Resistant models are ideal when mounting from a ceiling. If a wall mounting is desired, or if a horizontal extension is required to clear an obstacle, a mounting bracket is offered as an accessory ("Universal Mounting Bracket", page 6).

Swivel mounting and spring suspension allow this fixture to swing out of the way when struck, then return instantly to its original position. Length can be extended in the field using standard 1/2" conduit. Available with incandescent, high pressure sodium, and metal halide heads (see back cover and page 7 for light level and operating cost comparisons by fixture type).



Light head only

Use where no columns are available for side mounting. Available in incandescent (lamp not included) and 50 watt high pressure sodium models (lamp and glare guard included).

Order DL-300B1 (Incandescent)

Order DL-50 HPSB21 (HPS)

Ordering Information

120 volt is standard on Impact-Resistant fixtures.

Series	Wattage / Type	Part	Options
DL	INC	IR	277

DL	INC: Incandescent*	IR	277: 277 Volt ¹
	50HPS: 50 watt HPS		
	70HPS: 70 watt HPS		
	100HPS: 100 watt HPS		
	50MH: 50 watt MH		
	70MH: 70 watt MH		
	100MH: 100 watt MH		

¹ Available on HPS and MH models only.

* Wire Guard not provided.

Technical Data

Wiring: 3-conductor cord. Can be attached to any 3" or 4" junction box.

Weight in pounds (kg):

Incandescent 9 (4.1)

MH and HPS 15 (6.8)

Color: Safety Yellow

Dimensions: Please refer to pages 12-13.

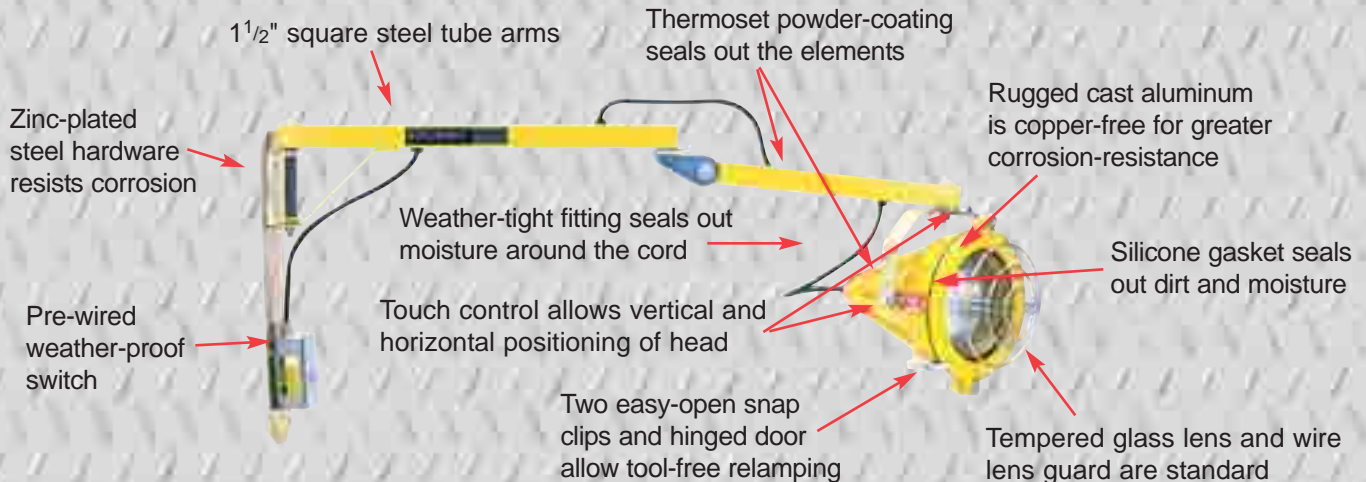
Compliances

Impact-Resistant fixtures are UL and cUL listed.



Wet-Location

Wet-Location models are ideal for use outdoors or in wet indoor environments. Available with incandescent, high pressure sodium, and metal halide heads (see back cover and page 7 for light level and operating cost comparisons by fixture type).



Ordering Information

120 volt is standard on Wet-Location fixtures.

Series	Wattage / Type	Part	Length	Options
DL	INC	DWT	42	277
DL	INC: Incandescent 70MH/DE: 70 watt MH/DE 70HPS: 70 watt HPS 70MH: 70 watt MH	DWT	42: 42" arm 60: 60" arm 90: 90" arm	277: 277 Volt ¹

¹ Available on HPS and MH models only.



Technical Data

Wiring: 3-conductor type grounded cord from fixture to switch on wall bracket.

Weight in pounds (kg):	42"	60"	90"
Incandescent	30 (13.6)	36 (16.3)	46 (20.9)
MH and HPS	36 (16.4)	42 (19.1)	52 (23.6)

Color: Safety Yellow

Dimensions: Please refer to pages 12-13.

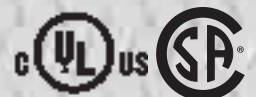
Lamping Information

DWT fixtures do not include lamps. Compatible lamps are listed below.

Fixture	Type	Watts	Bulb	Base
INC	Incandescent/Halogen PAR	Up to 300	PAR 38/BR40	Med. Skt/Med.
70MH	MH/DE	70	T6	RSC
70HPS	HPS	70	ED17	Med.
70MH	MH	70	ED17	Med.

Compliances

DWT fixtures are UL Listed Suitable for Wet Locations and CSA Certified.



Explosion-Proof

Explosion-Proof models are ideal for task lighting in hazardous environments, including Class I, Division 1 areas. Available with incandescent, high pressure sodium, and metal halide heads (see back cover and page 7 for light level and cost comparisons by fixture type).

Threaded joints between shell and cover permit internal pressure to be dissipated and provide a cooling path for escaping gases

3/4" thick tempered glass lens resists thermal shock and impact damage

Integral ballast minimizes installation and maintenance time (HID models)

Aluminum specular finish reflector permits exact direct beam pattern

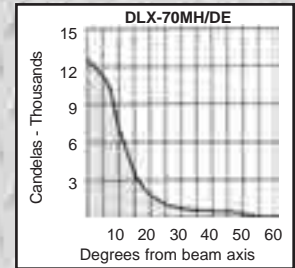
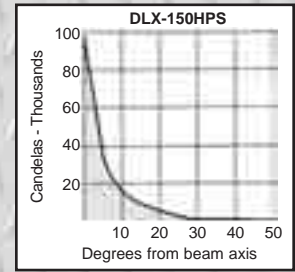
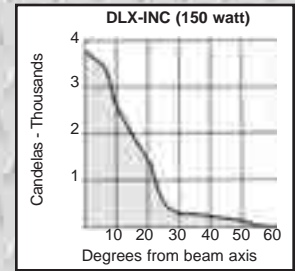
26" swing arm made from 1 1/2" square steel tube with a thermoset powder-coated safety yellow finish

Arm swings horizontally up to 180°

Wire entrance is factory sealed

Shell and cover are corrosion-resistant cast, marine-grade low copper content aluminum with a thermoset powder-coated safety yellow finish

Head rotates up to 230° horizontally and up to 74° vertically for aiming



Ordering Information

120 volt is standard on Explosion-Proof fixtures.

Series	Wattage / Type	Options
DLX	INC	277
DLX	INC:	277: 277 Volt ³
	50HPS:	347: 347 Volt ³
	70HPS:	
	100HPS:	
	150HPS:	
	70MH/DE:	

¹ Fixtures 100 watts and over are not UL Listed for Class II, Division 1, Group G, or Class III.
² Fixtures over 110 watts are not UL Listed for Class II, Division 1, Groups F or G, or Class III.
³ Available on HPS and MH models only.

Lamping Information

DLX fixtures do not include lamps. Compatible lamps are listed below. Lamps assigned part numbers can be ordered from Phoenix Products.

Fixture	Type	Watts	Bulb	Base
INC	Incandescent	Up to 150	PAR 38	Med. Skt
50HPS	HPS	50	ED17	Med.
70HPS	HPS	70	ED17	Med.
100HPS	HPS	100	ED17	Med.
150HPS	HPS	150	ED17	Med.
70MH	MH/DE	70	T6	RSC

Technical Data

Wiring: 6' (1.83 m) of wire to be used in compliance with suitable methods defined in the NEC for Class I, Division 1 locations. Wire entrance is factory sealed.

Weight in pounds (kg):
 Incandescent head 25 (11.4)
 MH and HPS heads 28 (12.8)

Color: Safety Yellow

Dimensions: Please refer to pages 12-13.

Compliances



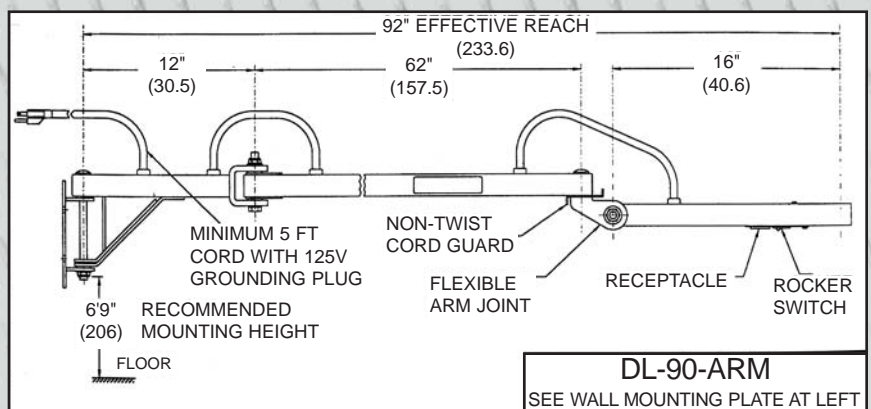
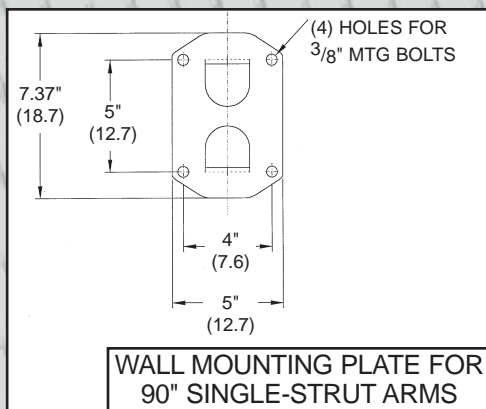
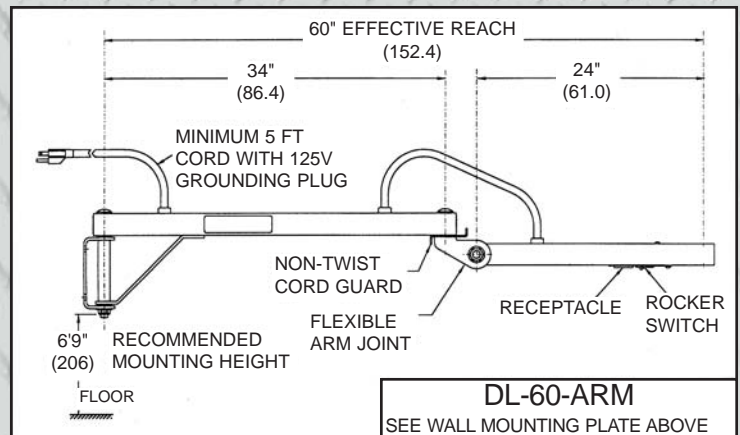
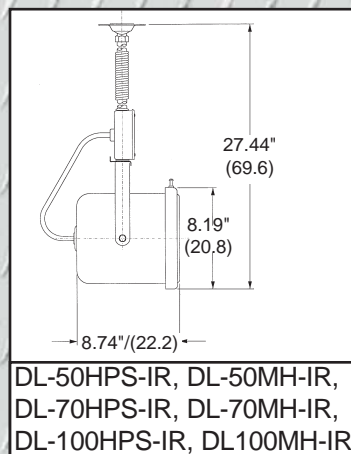
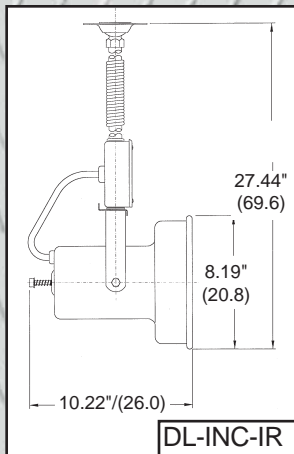
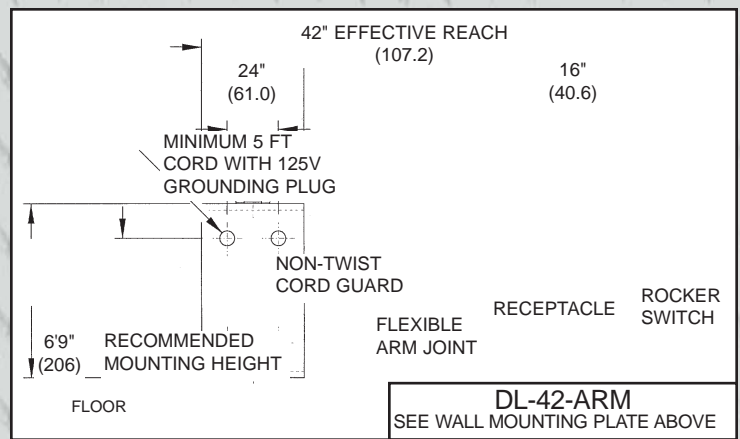
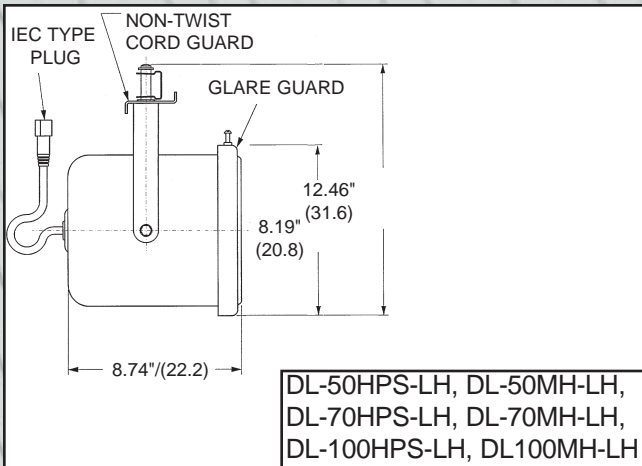
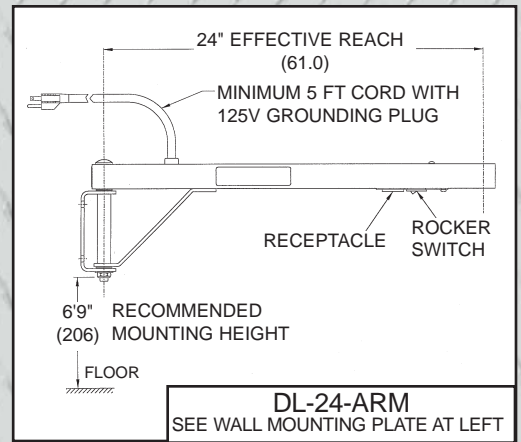
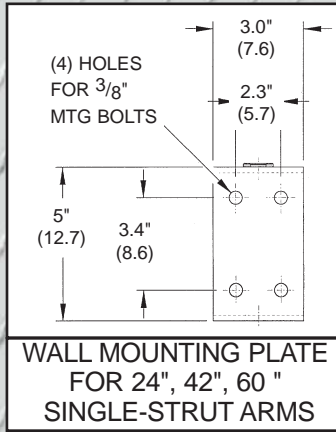
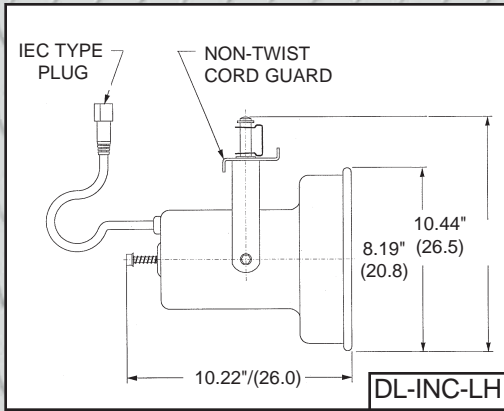
UL 844 Listed:
 Suitable for Hazardous Locations
 Class I, Division 1, Groups C&D
 Class II, Division 1, Groups F&G*
 Class III*

UL 595 Listed:
 Marine Type Electric Fixture Outside Type (Saltwater)

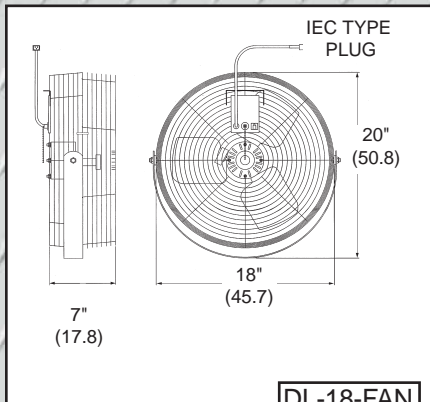
CSA Certified: Type 4

* Exceptions noted in ordering data above

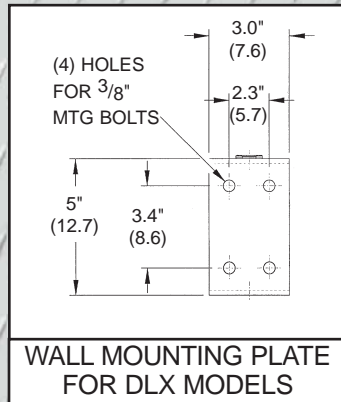
Dimensions ^{INCH / (CM)}



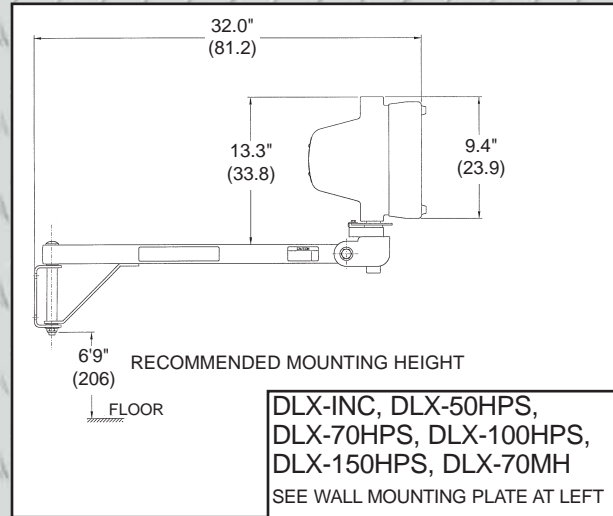
Dimensions ^{INCH}/_(CM)



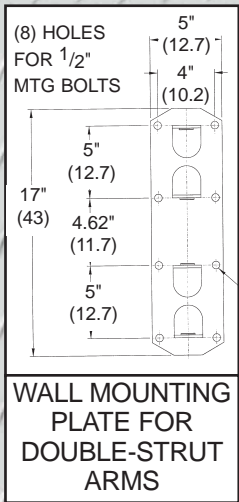
DL-18-FAN



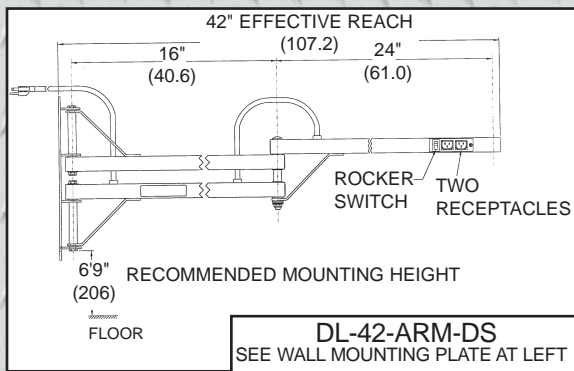
WALL MOUNTING PLATE FOR DLX MODELS



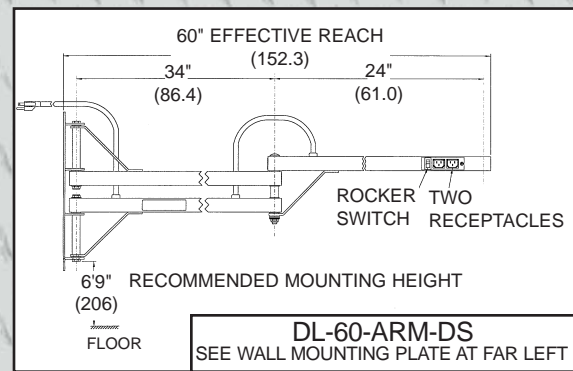
DLX-INC, DLX-50HPS, DLX-70HPS, DLX-100HPS, DLX-150HPS, DLX-70MH
SEE WALL MOUNTING PLATE AT LEFT



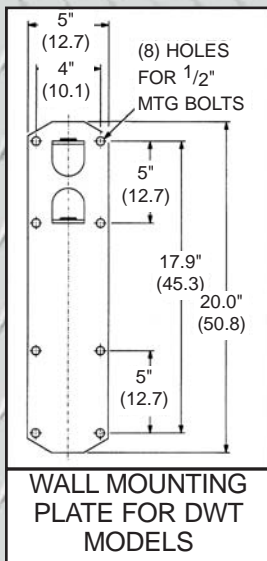
WALL MOUNTING PLATE FOR DOUBLE-STRUT ARMS



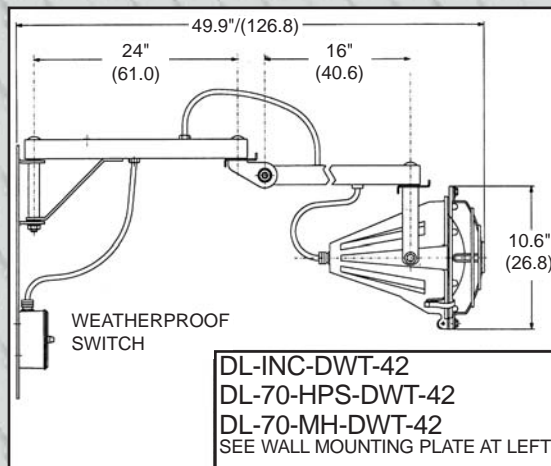
DL-42-ARM-DS
SEE WALL MOUNTING PLATE AT LEFT



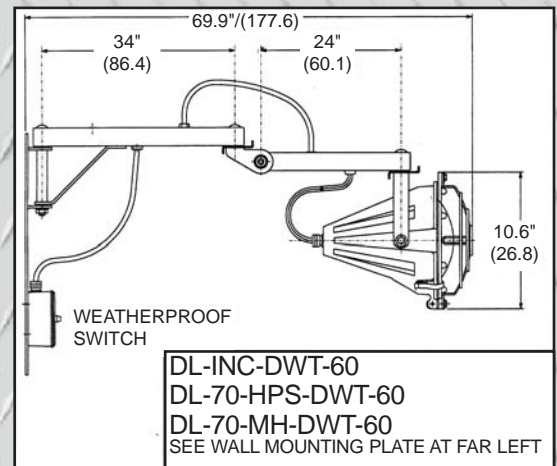
DL-60-ARM-DS
SEE WALL MOUNTING PLATE AT FAR LEFT



WALL MOUNTING PLATE FOR DWT MODELS



**DL-INC-DWT-42
DL-70-HPS-DWT-42
DL-70-MH-DWT-42**
SEE WALL MOUNTING PLATE AT LEFT



**DL-INC-DWT-60
DL-70-HPS-DWT-60
DL-70-MH-DWT-60**
SEE WALL MOUNTING PLATE AT FAR LEFT

NOT SHOWN:

90" DWT MODELS

Overall Length: 98.9" (251.0) (12", 62", 16" arms)
Housing Size: same as DWT models above
Bracket Size: same as DWT models above

500 WATT QH MODULAR HEAD

Height: 12.3" (31.2) (Includes bracket and handle)
Width: 8.3" (21.1)
Depth: 5.3" (13.5)

SPRING-ARM MODELS

Effective reach dimensions same as standard arms.

Overhead Pull-down

Overhead Pull-down models are ideal for truck trailer lighting (UL-SBR) or railcar lighting (UL-DHR) where the fixture's position must be adjustable. To use, hook the fixture under a vehicle's door header. Tension will hold the fixture in position. After use, pull the sash cord to release the fixture and a spring-loaded retractor reel draws the fixture overhead and out of the way. A standard switch automatically turns the fixture on when extended (in-use) and off when retracted (stored). Shell and tube feature a thermoset powder-coated finish for corrosion-resistance. Lamp(s) and wire guard(s) included.



UL-SBR
Truck Trailer Model



UL-DHR
Railcar Model

Ordering Information

Overhead Pull-down fixtures are available only in 120 volt. Incandescent Models

Series	Head	Options
UL	SBR	25

UL SBR: Single head (Truck trailer) 25: 25' cord
DHR: Double head (Railcar) 50: 50' cord

High Pressure Sodium Models

Series	Head	Type	Options
UL	SBR	50HPS	25

UL SBR: Single head (Truck trailer) 50HPS: 50 watt HPS 25: 25' cord
50: 50' cord

Lamping Information

UL-SBR and UL-DHR fixtures include lamps. Compatible lamps are listed below and can be ordered from Phoenix Products.

Fixture	Type	Watts	Bulb	Base	Phoenix Part No.
Incandescent	Rough Service	Up to 150	A-23	Med.	4205700
50HPS	HPS	50	ED17	Med.	4211300

Technical Data

Wiring: Factory-wired with 3-conductor cord and twist-lock connector. Includes automatic switch assembly.

Weight in pounds (kg):	standard	25' cord	50' cord
UL-SBR	14 (6.4)	20 (9.1)	28 (12.7)
UL-DHR	19 (8.6)	25 (11.3)	33 (15.0)
UL-SBR-50HPS	32 (14.5)	38 (17.3)	46 (20.9)

Color: Safety Yellow

Dimensions:	retracted	extended
UL-SBR	35"	83"
UL-DHR	38"	86"

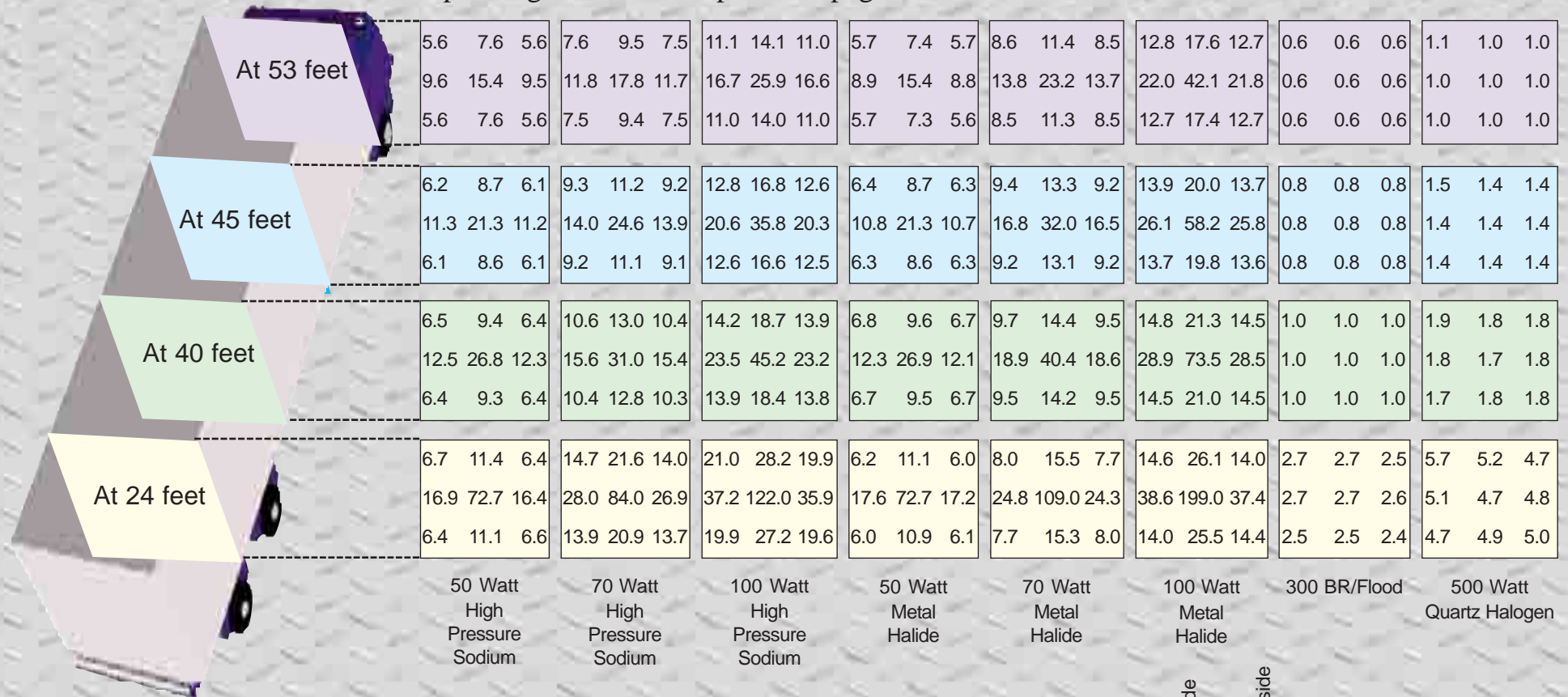
Compliances

Incandescent Overhead Pull-down fixtures are UL Listed Suitable for Damp Locations and CSA Certified.



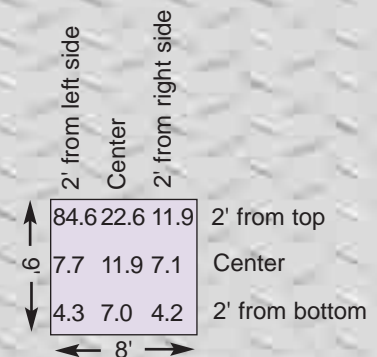
Light Level Comparison

The chart below illustrates light levels, in footcandles, produced by various fixture types at various positions in a truck trailer. See key below. Operating costs are compared on page seven.



Calculations are based on an 8' x 9' trailer. Footcandle values are maintained based on a light loss factor of .70.

Key



Phoenix Products Co., Inc.
 8711 West Port Avenue
 Milwaukee, WI 53224
 414/973-3300 fax: 414/973-3210
 www.phoenixproducts.com