

HEF SERIES

Industrial Fluorescent Lighting for Hazardous Locations

- UL 844 Hazardous Locations
- UL 924 Emergency Lighting
- Class I, Division 2, Groups A, B, C, & D
- Class II, Division 1 & 2 Groups F & G
- Class III
- CSA Certified
- Zone 2, Groups IIA, IIB, IIC
- Suitable for Wet Locations

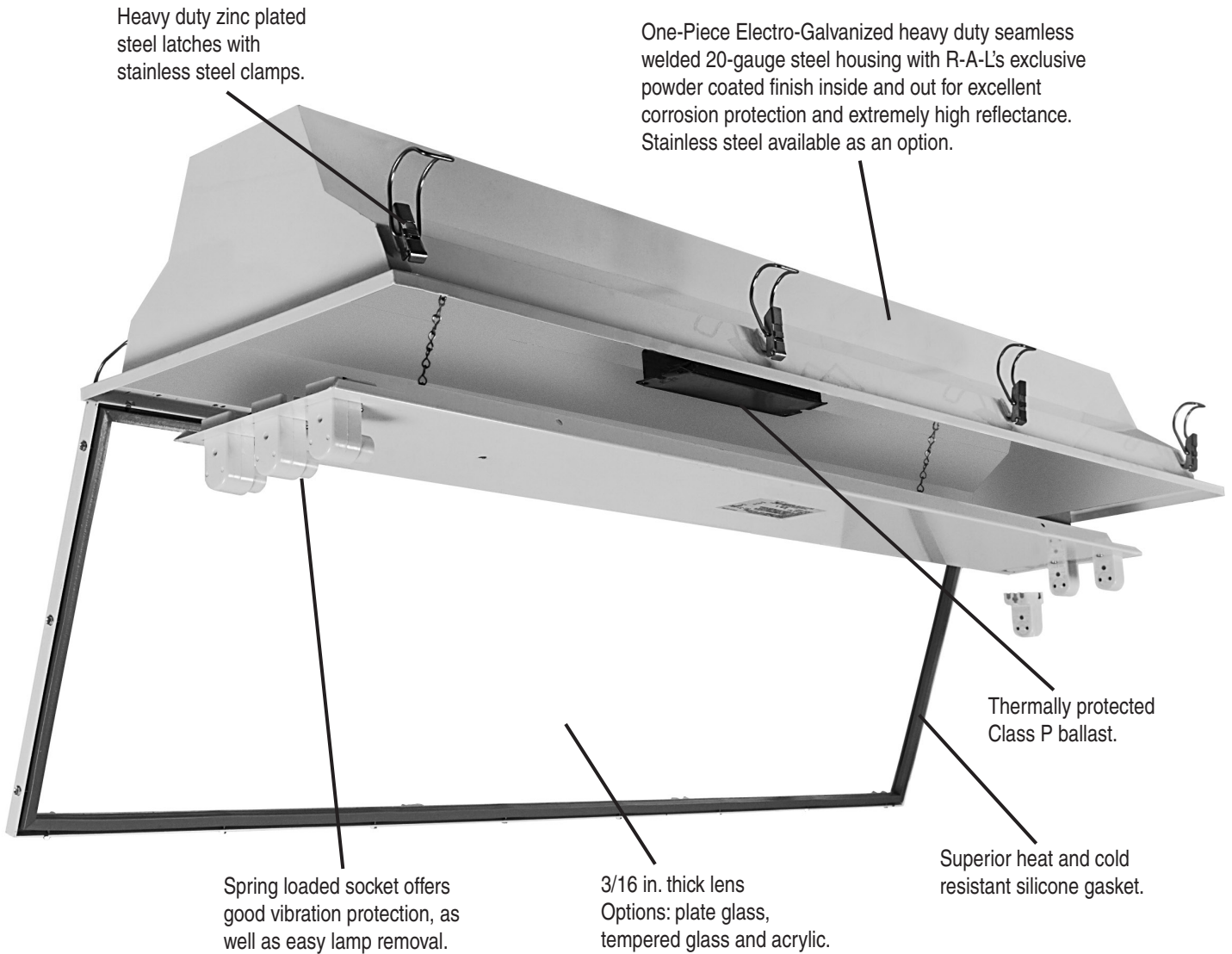


AZZ | R-A-L™
RIG-A-LITE

HEF SERIES

Industrial Fluorescent Lighting for Hazardous Locations

Each HEF Series fixture is individually tested for functional and dielectrical strength at the factory to assure quality and reliability and arrives assembled including reflectors, reducing installation time and cost.



HEF Series

Hazardous Locations • Class I, Division 2 • Class II • Class III • UL 844 • CSA Certified • Wet Locations

Catalog Number Logic

HEF 430-2L-TM-A-XX

①

②

③

④

⑤

⑥

①

BASIC SERIES

HEF Fluorescent Fixture
 Class I, Division 2, Groups A, B, C & D
 Class II, Division 1 & 2, Groups F & G
 Class III
 Suitable for Wet Locations
 UL 844 Hazardous Locations
 CSA Certified
 Zone 2, Groups IIA, IIB & IIC

②

LAMP CURRENT/LAMP WATTAGE

800 = 800mA, 60 Watt
 430 = 430mA, 34 Watt
 265 = 265mA, 32 Watt (T8 Lamps)
 T5HO = T5HO, 54 Watt (Up to 6 Lamps)

③

NUMBER OF LAMPS

2L = 2 Lamps
 3L = 3 Lamps
 4L = 4 Lamps (T5HO Only)
 6L = 6 Lamps (T5HO Only)

④

TYPE OF LENS

TM = Tempered Glass
 AC = Acrylic

⑤

VOLTAGE/FREQUENCY

A = 120V 60HZ (430mA Only)
 B = 236V 60HZ (430mA Only)
 C = 277V 60HZ (430mA Only)
 D = 220V 50HZ
 H = 347V 60HZ
 U = 120 thru 277V 50/60HZ

⑥

OPTIONS¹

TW = End Mounting/Thru Wire
 PTW = Pendant Mount and End Mount/Thru Wire
 SS = Stainless Steel Fixture
 OB = Outboard Option
 F = Individually Fused Ballast
 R = Radio Interference Filter
 L = Lamps
 HL = Hi Lumen Ballast (T8 only)
 EM = Emergency Battery Backup²

¹Consult factory for pricing.

²800mA 3 lamp and T5HO 6 lamp not available with emergency option.

Catalog logic is for explaining catalog number structure only. Not all combinations are possible; consult factory for catalog numbers not listed in charts.

FLUORESCENT

HEF Series

Hazardous Locations • Class I, Division 2 • Class II • Class III • UL 844 • CSA Certified • Wet Locations

Certification Guide

OPERATING TEMPERATURE CODE			
HEF SERIES	CLASS I, DIVISION 2 GROUPS A, B, C & D	CLASS II, DIVISION 1 & 2 GROUPS F & G	RATED AMBIENT TEMPERATURE
HEF 800 2 & 3 LAMPS	T3C (160°C/320°F)	T6 (85°C/185°F)	25°C (77°F)
HEF 430 2 & 3 LAMPS	T6 (85°C/185°F)	T6 (85°C/185°F)	40°C (104°F)
HEF 265 2 & 3 LAMPS	T4A (120°C/248°F)	T6 (85°C/185°F)	40°C (104°F)
HEF T5HO 2, 3, 4 & 6 LAMPS	T3C (160°C/320°F)	T6 (85°C/185°F)	40°C (104°F)

FLUORESCENT HEF Series

Hazardous Locations • Class I, Division 2 • Class II • Class III • UL 844 • CSA Certified • Wet Locations



(Lamps not included)

- Class I, Division 2, Groups A, B, C and D, Class II, Groups F and G; Class III
- UL 844 Hazardous Locations
- Suitable for wet locations
- Available in 2 and 3 lamp and 4 or 6 lamp T5HO
- Available in 265, 425, 430 or 800 mA
- Rugged heavy duty one-piece construction
- 20 gauge steel housing, 14 gauge steel door frame
- Stainless steel housing available
- Superior white finish inside and out for excellent reflectivity and long-lasting corrosion protection
- Superior heat and cold resistant silicone gasket
- 3/16 in. clear plate glass, tempered glass or acrylic lens
- Pendant mount or thru-wire cast aluminum hubs
- Various mounting bracket options- 1/2" NPT Hubs

	Description	Voltage	Type Lens	Catalog Number ¹
Two Lamp Fixture	32 Watt, Rapid Start Medium Bi-Pin T8, 265mA, 48"	120-277V 50/60HZ	Tempered Glass Plate Glass	HEF265-2L-TM-U HEF265-2L-PL-U
	34 Watt, Rapid Start Medium Bi-Pin T12, 430mA, 48"	120V/60HZ	Tempered Glass Plate Glass	HEF430-2L-TM-A HEF430-2L-PL-A
		236V/60HZ	Tempered Glass Plate Glass	HEF430-2L-TM-B HEF430-2L-PL-B
		277V/60HZ	Tempered Glass Plate Glass	HEF430-2L-TM-C HEF430-2L-PL-C
		220V/50HZ	Tempered Glass Plate Glass	HEF430-2L-TM-D HEF430-2L-PL-D
	54 Watt, T5HO Miniature Bi-Pin 2 Lamp 48"	120-277V 50/60HZ	Tempered Glass Plate Glass	HEFT5HO-2L-TM-U HEFT5HO-2L-PL-U
60 Watt, Rapid Start ² High Output Recessed Double Contact 800mA Lamps, 48"	120-277V 50/60HZ	Tempered Glass Plate Glass	HEF800-2L-TM-U HEF800-2L-PL-U	
Three Lamp Fixture	32 Watt, Rapid Start Medium Bi-Pin T8, 265mA, 48"	120-277V 50/60HZ	Tempered Glass Plate Glass	HEF265-3L-TM-U HEF265-3L-PL-U
	34 Watt, Rapid Start ³ Medium Bi-Pin 430mA Lamps, 48"	120V/60HZ	Tempered Glass Plate Glass	HEF430-3L-TM-A HEF430-3L-PL-A
		277V/60HZ	Tempered Glass Plate Glass	HEF430-3L-TM-C HEF430-3L-PL-C
	54 Watt, T5HO Miniature Bi-Pin 2 Lamp, 48"	120-277V 50/60HZ	Tempered Glass Plate Glass	HEFT5HO-3L-TM-U HEFT5HO-3L-PL-U
60 Watt, Rapid Start, High ² Output Recessed Double Contact, 800mA, 48"	120-277V 50/60HZ	Tempered Glass Plate Glass	HEF800-3L-TM-U HEF800-3L-PL-U	

¹Part numbers are for pendant mount fixtures. For end mount/thru wire application, see options.

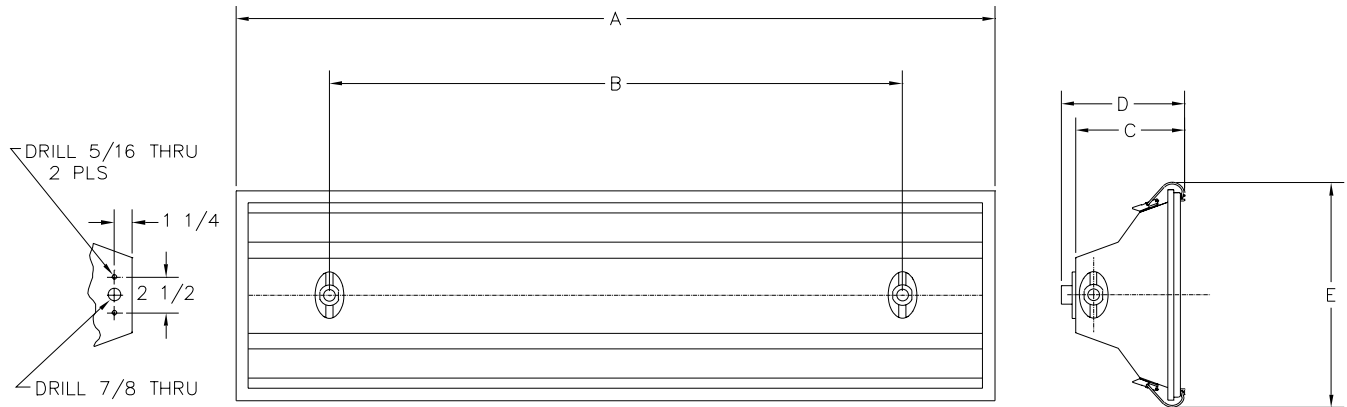
²Min starting temp for 60 watt fixtures is -20°F.

³Two ballasts available for 3-40 watt lamps for outboard option.

FLUORESCENT HEF Series

Hazardous Locations • Class I, Division 2 • Class II • Class III • UL 844 • CSA Certified • Wet Locations

Fixture Dimensions (inches)

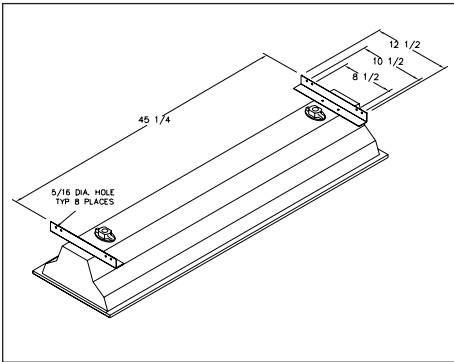


HEF SERIES	Dimensions (inches)					Hub Size	Boxed Weight	Shipping Volume (Boxed Fixtures)
	A	B	C	D	E			
2-Lamp, 4 ft. Fixture (34, 60 watt)	53.125	40	7.5	8.5	15.25	1/2	37 lbs.	4.7 cu. ft.
3-Lamp, 4 ft. Fixture (34, 60 watt)	53.125	40	7.5	8.5	15.25	1/2	43 lbs.	4.7 cu. ft.
Up to 6 lamp 4 ft. Fixture (T5HO)	53.125	40	7.5	8.5	15.25	1/2	41 lbs.	4.7 cu. ft.

FLUORESCENT HEF Series

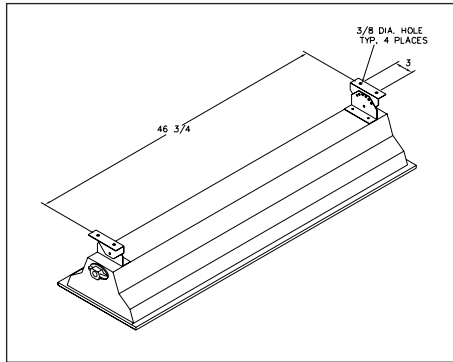
Hazardous Locations • Class I, Division 2 • Class II • Class III • UL 844 • CSA Certified • Wet Locations

Accessories



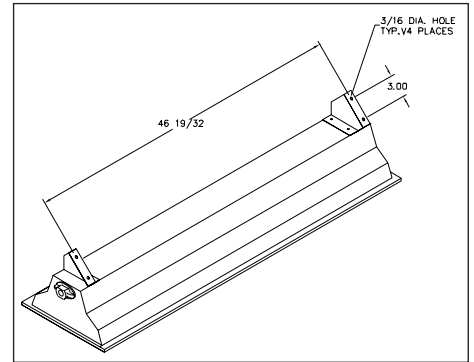
Angle Bar Chain Mounting Kit

Catalog Number: 53045
Shipping Weight: 1.5 lbs.
Chain Not Included



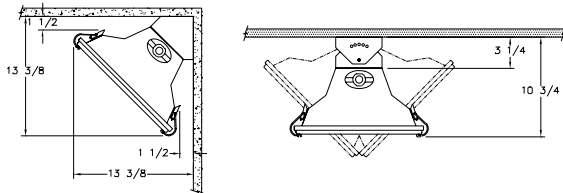
Adjustable Wall/Ceiling Mounting Kit

Catalog Number: 53044
Shipping Weight: 1.41 lbs.



Fixed 45° Wall/Ceiling Mounting Kit

Catalog Number: 53043
Shipping Weight: 1.61 lbs.



NOTE:

When bracket is adjusted to the 45° position, all dimensions are same as shown for fixed 45° bracket.

FLUORESCENT HEF Series

Hazardous Locations • Class I, Division 2 • Class II • Class III • UL 844 • CSA Certified • Wet Locations

Coefficients of Utilization HEF430-2L

% Effective Ceiling Cavity Reflectance rcc	80			50			10		
	50	30	10	50	30	10	50	30	10
% Wall Reflectance rw	Effective Floor Cavity Reflectance 20%								
Room Cavity Ratio RCR	Effective Floor Cavity Reflectance 20%								
0	.92	.92	.92	.85	.85	.85	.78	.78	.78
1	.81	.78	.75	.76	.74	.72	.70	.69	.68
2	.71	.66	.62	.67	.63	.60	.62	.60	.57
3	.63	.57	.52	.60	.55	.51	.56	.52	.49
4	.56	.49	.44	.53	.48	.43	.49	.46	.42
5	.49	.42	.37	.47	.41	.37	.44	.39	.36
6	.44	.37	.32	.42	.36	.32	.39	.35	.31
7	.39	.32	.28	.37	.31	.27	.35	.30	.27
8	.35	.28	.24	.33	.28	.23	.31	.27	.23
9	.31	.25	.20	.30	.24	.20	.28	.23	.20
10	.28	.22	.18	.27	.22	.18	.26	.21	.17

Total Luminaire Efficiency = 76.9%

HEF430-3L

% Effective Ceiling Cavity Reflectance rcc	80			50			10		
	50	30	10	50	30	10	50	30	10
% Wall Reflectance rw	Effective Floor Cavity Reflectance 20%								
Room Cavity Ratio RCR	Effective Floor Cavity Reflectance 20%								
0	.83	.83	.83	.71	.71	.71	.71	.71	.71
1	.74	.71	.69	.69	.67	.65	.64	.63	.62
2	.65	.61	.57	.61	.58	.55	.57	.55	.53
3	.58	.52	.48	.55	.50	.47	.51	.48	.45
4	.51	.45	.41	.49	.44	.40	.45	.42	.39
5	.45	.39	.35	.43	.38	.34	.40	.36	.33
6	.40	.34	.30	.38	.33	.29	.36	.32	.29
7	.36	.30	.26	.34	.29	.25	.32	.28	.25
8	.32	.26	.22	.31	.26	.22	.29	.25	.22
9	.29	.23	.19	.27	.22	.19	.26	.22	.19
10	.26	.20	.17	.25	.20	.16	.24	.19	.16

Total Luminaire Efficiency = 69.9%

HEF800-2L

% Effective Ceiling Cavity Reflectance rcc	80			50			10		
	50	30	10	50	30	10	50	30	10
% Wall Reflectance rw	Effective Floor Cavity Reflectance 20%								
Room Cavity Ratio RCR	Effective Floor Cavity Reflectance 20%								
0	.83	.83	.83	.77	.77	.77	.71	.71	.71
1	.73	.71	.68	.69	.67	.65	.64	.62	.61
2	.64	.60	.56	.61	.57	.54	.56	.54	.52
3	.57	.52	.47	.54	.50	.46	.50	.47	.45
4	.50	.45	.40	.48	.43	.39	.45	.41	.38
5	.44	.38	.34	.42	.37	.33	.40	.36	.32
6	.40	.33	.29	.38	.32	.29	.35	.31	.28
7	.35	.29	.25	.34	.29	.25	.32	.28	.24
8	.32	.26	.21	.30	.25	.21	.28	.24	.21
9	.28	.22	.18	.27	.22	.18	.25	.21	.18
10	.26	.20	.16	.24	.19	.16	.23	.19	.16

Total Luminaire Efficiency = 69.3%

HEF800-3L

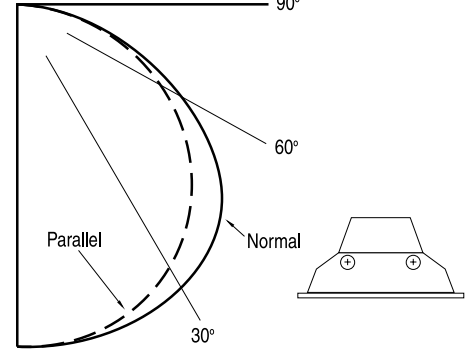
% Effective Ceiling Cavity Reflectance rcc	80			50			10		
	50	30	10	50	30	10	50	30	10
% Wall Reflectance rw	Effective Floor Cavity Reflectance 20%								
Room Cavity Ratio RCR	Effective Floor Cavity Reflectance 20%								
0	.76	.76	.76	.71	.71	.71	.65	.65	.65
1	.67	.65	.63	.63	.61	.60	.59	.57	.56
2	.60	.56	.52	.56	.53	.50	.52	.50	.48
3	.53	.48	.44	.50	.46	.43	.47	.44	.42
4	.47	.42	.38	.44	.40	.37	.42	.38	.36
5	.41	.36	.32	.39	.35	.31	.37	.33	.30
6	.37	.31	.27	.35	.30	.27	.33	.29	.26
7	.33	.27	.24	.31	.27	.23	.30	.26	.23
8	.29	.24	.20	.28	.23	.20	.27	.23	.20
9	.26	.21	.17	.25	.20	.17	.24	.20	.17
10	.24	.19	.15	.23	.18	.15	.22	.18	.15

Total Luminaire Efficiency = 63.5%

Candlepower HEF430-2L

Deg.	Parl.	22.5	45	67.5	Norm	Zonal Flux
0	1523	1523	1523	1523	1523	
5	1528	1529	1527	1528	1530	146
15	1492	1498	1507	1519	1529	427
25	1407	1423	1443	1474	1491	668
35	1276	1301	1337	1380	1407	840
45	1105	1139	1190	1247	1279	919
55	875	923	968	1016	1023	861
65	592	626	648	663	652	635
75	280	295	299	288	261	304
85	36	37	37	34	34	45
90	0	0	0	0	0	

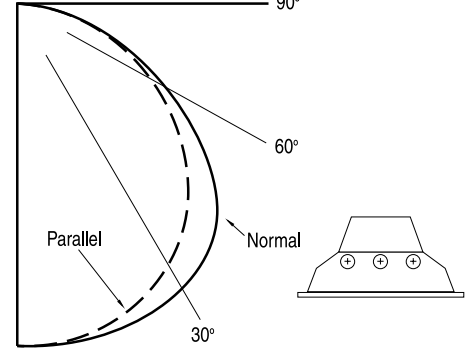
Fluorescent Photometrics HE430-2L



HEF430-3L

Deg.	Parl.	22.5	45	67.5	Norm	Zonal Flux
0	2139	2139	2139	2139	2139	
5	2148	2141	2141	2140	2138	204
15	2089	2094	2118	2136	2140	599
25	1956	1983	2043	2080	2090	938
35	1759	1815	1900	1948	1958	1178
45	1498	1586	1679	1736	1742	1276
55	1169	1278	1368	1356	1336	1171
65	760	864	874	815	788	822
75	329	386	346	283	264	348
85	28	34	29	28	28	42
90	0	0	0	0	0	

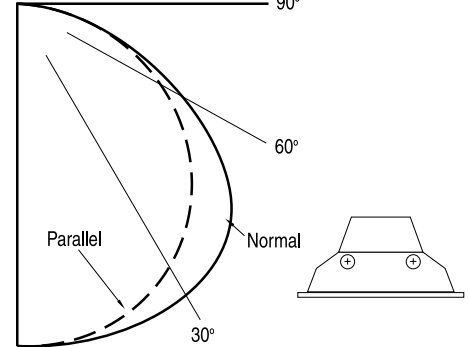
HEF430-3L



HEF800-2L

Deg.	Parl.	22.5	45	67.5	Norm	Zonal Flux
0	1882	1882	1882	1882	1882	
5	1889	1885	1883	1883	1883	180
15	1837	1842	1861	1878	1882	526
25	1717	1743	1795	1834	1844	826
35	1543	1595	1674	1731	1747	1041
45	1315	1399	1494	1587	1600	1143
55	1025	1131	1259	1267	1249	1069
65	663	787	829	812	797	781
75	285	368	369	314	283	351
85	23	33	30	30	30	43
90	0	0	0	0	0	

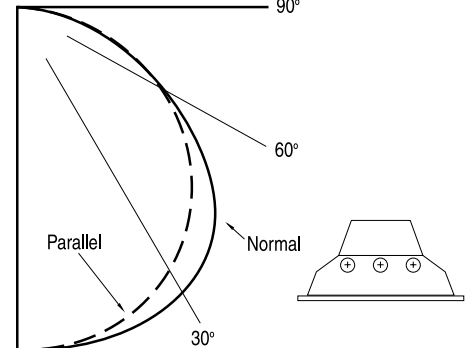
HEF800-2L



HEF800-3L

Deg.	Parl.	22.5	45	67.5	Norm	Zonal Flux
0	2693	2693	2693	2693	2693	
5	2688	2681	2677	2674	2674	257
15	2634	2630	2659	2685	2693	752
25	2456	2493	2564	2612	2627	1175
35	2215	2282	2383	2447	2462	1480
45	1887	1989	2098	2181	2181	1600
55	1468	1605	1701	1663	1628	1457
65	958	1101	1062	989	943	1011
75	399	477	403	333	313	416
85	31	35	31	31	31	50
90	0	0	0	0	0	

HEF800-3L

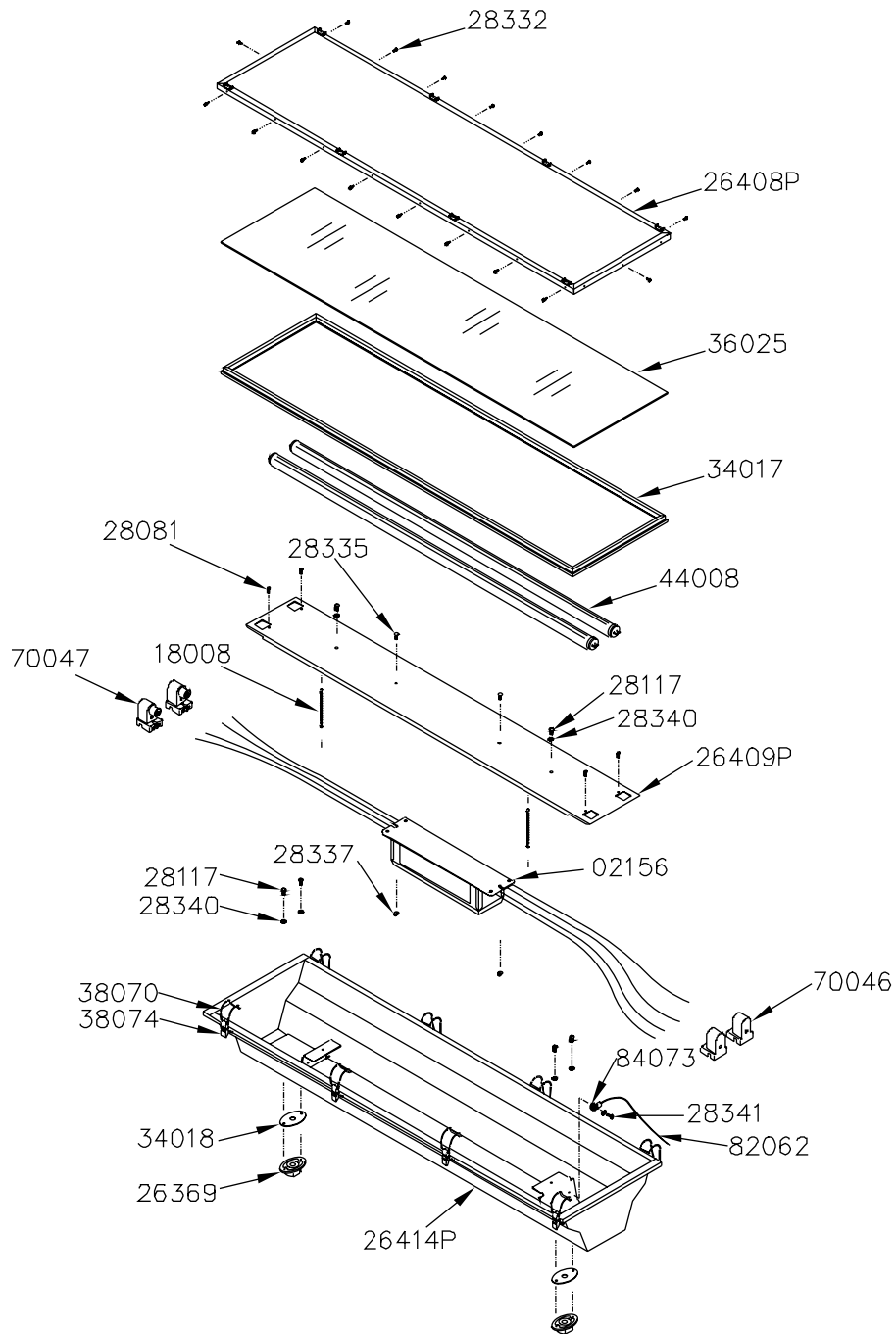


FLUORESCENT HEF Series

Hazardous Locations • Class I, Division 2 • Class II • Class III • UL 844 • CSA Certified • Wet Locations

Parts List

CATALOG NUMBER HEF430-2L-TM-A



- Note: 1. Above drawing and part numbers are for fixture catalog no. HEF430-2L-TM-A.
 2. Parts may vary for other models. Contact factory if parts for other models are required.
 3. Ballasts and lamps are listed on separate pages.

FLUORESCENT HEF Series

Hazardous Locations • Class I, Division 2 • Class II • Class III • UL 844 • CSA Certified • Wet Locations

Parts List

Part No.	Description	Weight
02156	BLST FLUOR 430 120V	4.2
18008	CHAIN ASSEMBLY HEF	0.3
26369	HUB 1/2NPT MACHINED HEF	0.3
26408P	LENS FAME HEF	3.5
26409P	REFLECTOR HEF430 2LMP	5.0
26414P	HSG HEF PENDANT MT	15.9
28081	SCREW PAN	0.1
28117	SCREW RDH	0.1
28332	SCREW HEXWSHR	0.1
28335	SCREW RDH CARRIAGE	0.1
28337	NUT HEX TINMAN	0.1
28340	WASHER STAR OUTSIDE	0.1
28341	SCREW HEXWSHR	0.1
34017	GSKT LENS HEF	1.4
34018	GSKT BOLT-ON HUB HEF	0.1
36025	LENS CLEAR TMPD	12.8
36026	LENS CLEAR PLATE GLASS	12.7
36027	LENS CLEAR ACRYLIC	10.3
38070	HOOK LATCH SS	0.5
38074	LATCH TOGGLE	0.5
44008	LAMP FLUOR 34W CW BI-PIN	0.5
70011	LPHLDR HI-OUTPUT TELE (800MA FXTRS)	0.2
70033	LPHLDR SLIMLINE TELE (425MA FXTRS)	0.2
70036	LPHLDR SLIMLINE FXD (425MA FXTRS)	0.2
70046	LPHLDR BI-PIN FIXD (430 OR 265MA FXTRS)	0.2
70047	LPHLDR BI-PIN TELE (430 OR 265MA FXTRS)	0.2
70048	LPHLDR HI-OUTPUT FXD (800MA FXTRS)	0.2
82062	WIRE U/L-CSA GRN 16AWG	0.1
84073	LUG RNG N/INS 16-14AWG	0.1