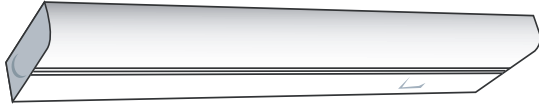


UC

Undercabinet Task Light

1 or 2 Lamps

Project Name:	
Type:	Notes:
Catalog #:	



FEATURES:

– For undercabinet task lighting indoor applications, providing a contemporary design with convenient installation. Optimized performance for T5 or T8 lamp technology.

SPECIFICATIONS:

CONSTRUCTION – Heavy gauge, die-formed, cold-rolled steel. Knockouts available for wiring options.

DIFFUSER – Snap-in white linear acrylic ribbed diffuser provides soft illumination and easy lamping.

FINISH – Multi-stage phosphate treated for maximum adhesion and rust resistance. Finished with high-gloss, baked white enamel.

ELECTRICAL – Energy efficient, thermally protected, Class P, HPF, sound rated A, UL Listed, electronic ballasts are standard on all models. Provided with luminaire disconnects for convenient installation.

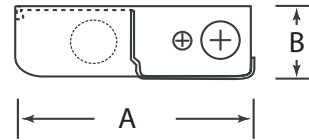
LISTINGS – UL Listed (standard) for Damp Locations.

Dimensions

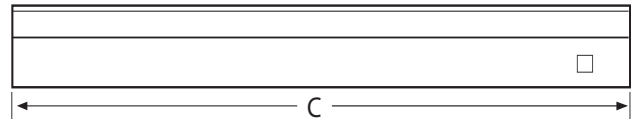
Model Configuration (1-Lite)	A	B	C
(1) 15w	5-3/16"	1-3/4"	18"
(1) 17w	5-3/16"	1-3/4"	24"
(1) 25w	5-3/16"	1-3/4"	36"
(1) 32w	5-3/16"	1-3/4"	48"

Model Configuration (2-Lite)	A	B	C
(2) 15w	6-3/4"	1-13/16"	18-1/8"
(2) 17w	6-3/4"	1-13/16"	24-1/8"
(2) 25w	6-3/4"	1-13/16"	36-1/8"
(2) 32w	6-3/4"	1-13/16"	48-1/8"

Side View



Top View

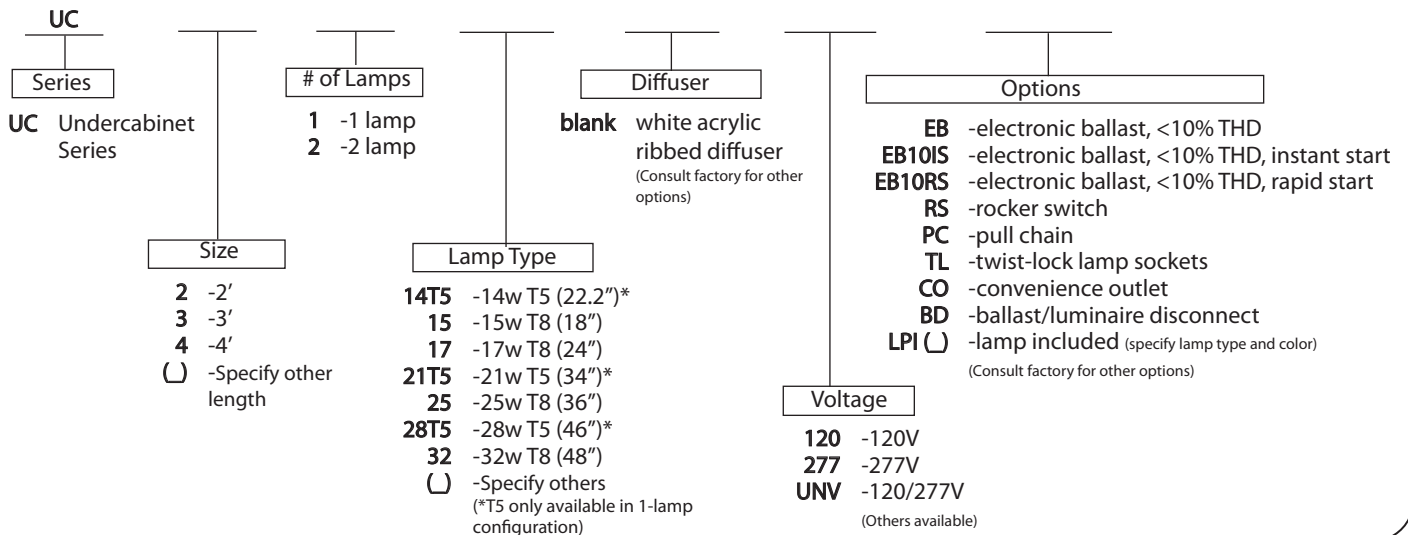


Note: T5 lamp dimensions not shown. Consult factory for T5 dimensions.

Ordering Matrix and Options

Example:

UC4 132 UNV EB



Manufacturer reserves the right to make changes to specifications without notice.