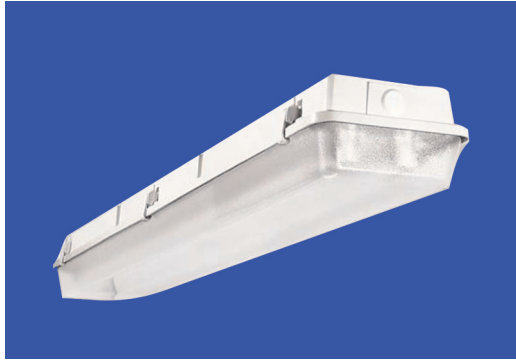


VP

Enclosed and Gasketed Vaportite

1, 2, 3 or 4 Lamps

Project Name:	
Type:	Notes:
Catalog #:	



FEATURES:

– For surface mounting applications, where dust, humidity, moisture or other non-corrosive elements are present. Optimized performance for T8 lamp technology. Twist-lock lampholders are standard on all medium bi-pin lamp models.

SPECIFICATIONS:

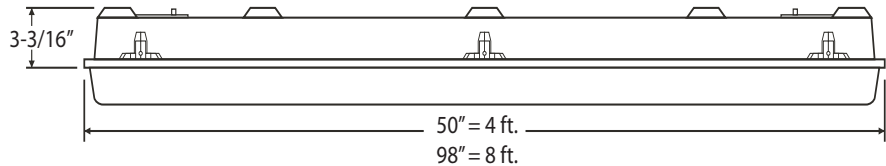
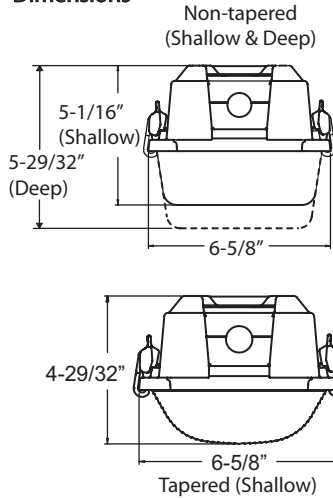
CONSTRUCTION – Non-metallic, fiberglass reinforced polyester housing. Poured in gasketing provides maximum seal integrity between housing and diffuser. Diffuser is high-impact “DR” lens, secured by captive, non-metallic, snap-action cam latches. Other lens and latch types are available. Single plastic end plug is standard. Weathertight hubs are optional. Fixture available in one, two or three T8 lamps, tandem and T5 lamp configurations.

FINISH – Multi-stage phosphate treated for maximum adhesion and rust resistance. Finished with high-gloss, baked white enamel.

ELECTRICAL – Energy efficient, thermally protected, Class P, HPF, sound rated A, UL Listed, electronic ballasts are standard on all models. Provided with ballast/luminaire disconnect for convenient maintenance.

LISTINGS – UL Listed for Damp and Wet Location.

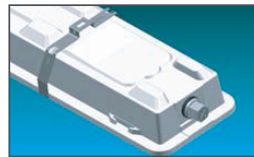
Dimensions



Accessories

BRKT / HBW

SSL (Latches)



Ordering Matrix and Options

Example:

VP 232 UNV EB EM

VP		# of Lamps		Lamp Type		Voltage		Options	
Series	Enclosed Vaportite	1	-1 lamp	28T5	28w T5 (46")	120	-120V	EB	-electronic ballast, <10% THD
		2	-2 lamp	28T8	28w T8 (48")	277	-277V	EB10IS	-electronic ballast, <10% THD, instant start
	*Add "TAN" option for tandem	3	-3 lamp	32T8	32w T8 (48")	UNV	-120/277V (Others available)	EB10RS	-electronic ballast, <10% THD, rapid start
				54T5HO	54w T5 HO (46")			EBZ	-cold-weather electronic ballast (0°F start. temp.)
				59T8	59w T8 (96") (Consult factory for available configurations.)			EB2	-two electronic ballasts*
								EP	-electronic ballast, programmed start
								EM	-emergency battery pack ¹
								CWEM	-cold weather emergency pack (0°F start. temp.)
								BRKT	-mounting brackets
								SSL	-stainless steel latches
								HBW	-weathertight hub
								BD	-luminaire disconnect
								LPI ()	-lamp included (specify lamp type and color)
									(Consult factory for other options)
									See supplemental page for option details.
									*Single ballast standard unless this option selected.
									¹ Non-cold weather. Specify "CWEM" for 0°F starting temperature.
UL Listed									
blank	wet location								
					Diffuser				
					blank				
					high-impact acrylic "DR" shallow non-tapered lens				
					high-impact acrylic "DR" deep non-tapered lens ¹				
					ARD				
					high-impact acrylic "DR" shallow tapered lens ²				
					(Consult factory for others options)				
					¹ Deep lens standard on 96", T8 models				
					² Tapered lens standard on T5 models				

Manufacturer reserves the right to make changes to specifications without notice.