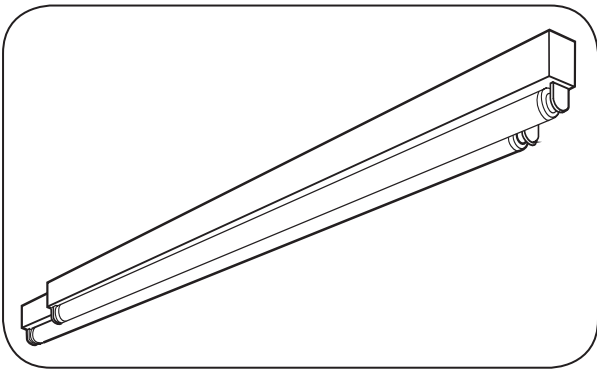


# STS

## Staggered Strip (Narrow)

1 or 2 Lamps

Project Name:	
Type:	Notes:
Catalog #:	



### FEATURES:

– For surface mounting applications, unit or row installations. Ideal for retail stores, coves, signage, displays and lobbies. Optimized performance for T8 lamp technology and available in T5 lamping. Twist-lock lampholders are standard on T5 and T8 models.

### SPECIFICATIONS:

**CONSTRUCTION** – Heavy gauge, die-formed, cold-rolled steel. Offset channel ends provide continuous illumination without shadows. Fixture available in one or two lamp configurations and tandem lengths. Multiple knockouts for convenient installation. Micro-connect plugs optional for easy in-row wiring.

**FINISH** – Multi-stage phosphate treated for maximum adhesion and rust resistance. Finished with high-gloss, baked white enamel.

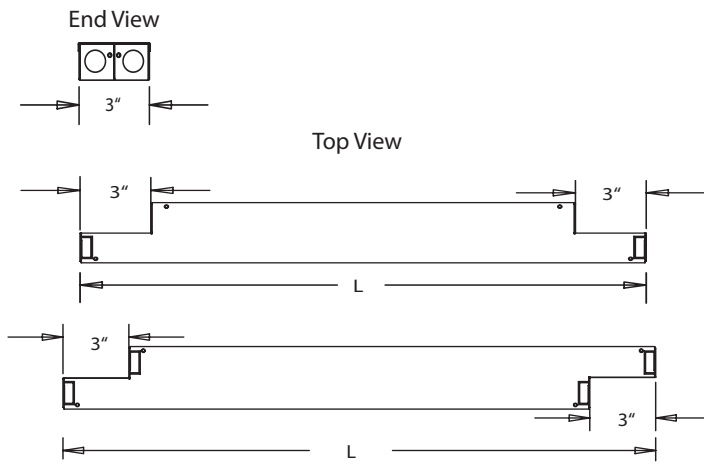
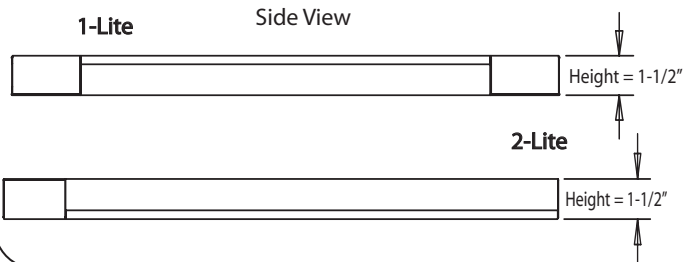
**ELECTRICAL** – Energy efficient, thermally protected, Class P, HPF, sound rated A, UL Listed, electronic ballasts are standard on all models. Provided with ballast disconnect wall-nuts for convenient disconnection.

**LISTINGS** – UL Listed (standard) for Damp Location.

### Dimensions

1-Lite (T8/T5)	L (T8)	L (T5)	2-Lite (T8/T5)	L (T8)	L (T5)
17w / 14w	24"	22-7/16"	(2) 17w / 14w	27"	25-7/16"
25w / 21w	36"	34-9/32"	(2) 25w / 21w	39"	37-9/32"
32w / 28w	48"	46-1/16"	(2) 32w / 28w	51"	49-1/16"
(2) 25w / 21w *	72"	68-9/16"	(4) 25w / 21w *	75"	71-9/16"
(2) 32w / 28w *	96"	92-1/8"	(4) 32w / 28w *	99"	95-1/8"

\* Tandem type



### Ordering Matrix and Options

<p>STS</p> <p>Series</p> <p><b>STS</b> Staggered Strip</p> <p>*Add "TAN" option for tandem</p>	<p>Size</p> <p>1-Lite 2-Lite</p> <p><b>2</b> -24" -27"</p> <p><b>3</b> -36" -39"</p> <p><b>4</b> -48" -51"</p> <p><b>6</b> -72"<sup>1</sup> -75"<sup>1</sup></p> <p><b>8</b> -96"<sup>1</sup> -99"<sup>1</sup></p> <p>See above dimension chart for T5 lamp lengths.</p> <p><sup>1</sup> For tandem connection.</p>	<p>Lamp Type</p> <p><b>14T5</b> 14wT5 (22")</p> <p><b>17T5</b> 17wT8 (24")</p> <p><b>21T5</b> 21wT5 (34")</p> <p><b>25T8</b> 25wT8 (36")</p> <p><b>28T5</b> 28w T5 (46")</p> <p><b>28T8</b> 28w T8 (48")</p> <p><b>32T8</b> 32w T8 (48")</p> <p><b>54T5HO</b> 54w T5 HO (46")</p>	<p># of Lamps</p> <p><b>1</b> -1 lamp</p> <p><b>2</b> -2 lamp</p>	<p>Example: <b>STS4 232 UNV EB EM</b></p> <p>Voltage</p> <p><b>120</b> -120V</p> <p><b>277</b> -277V</p> <p><b>UNV</b> -120/277V</p> <p>(Others available)</p>	<p>Options</p> <p><b>EB</b> -Electronic ballast, &lt;10% THD</p> <p><b>EB10IS</b> -Electronic ballast, &lt;10% THD, instant start</p> <p><b>EB10RS</b> -Electronic ballast, &lt;10% THD, rapid start</p> <p><b>EM</b> -Emergency battery pack</p> <p><b>DIM</b> -Dimming ballast (electronic)</p> <p><b>SYMR</b> -Symmetrical Reflector</p> <p><b>ASYMR</b> -Asymmetrical Reflector</p> <p><b>BD</b> -Ballast disconnects</p> <p><b>MCP</b> -Micro connect plugs (for 5/8" DD Knock-outs)</p> <p><b>LPI ( )</b> -Lamp included (specify lamp type and color)</p> <p>(Consult factory for other options)</p> <p>See supplemental page for option details.</p> <p>*Single ballast standard unless this option selected.</p> <p><sup>1</sup> Not available in T5 HO.</p>
--	---	---	---	--	---

Manufacturer reserves the right to make changes to specifications without notice.