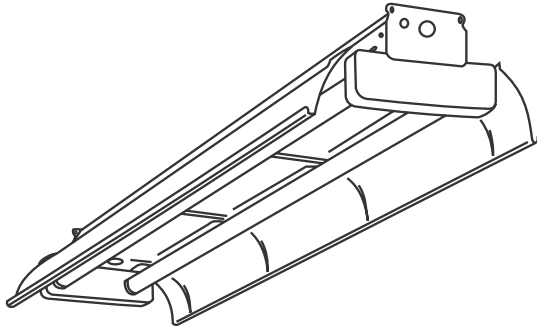


# TI

## Turret Industrial

1, 2, 3 or 4 Lamps

Project Name:	
Type:	Notes:
Catalog #:	



### FEATURES:

– For surface or pendant mounting applications, unit or row installations. Optimized performance for T5 and T8 lamp technology. Twist-lock lampholders are standard on all medium bi-pin lamp base types.

### SPECIFICATIONS:

**HOUSING** – Heavy gauge, die-formed, cold-rolled steel.

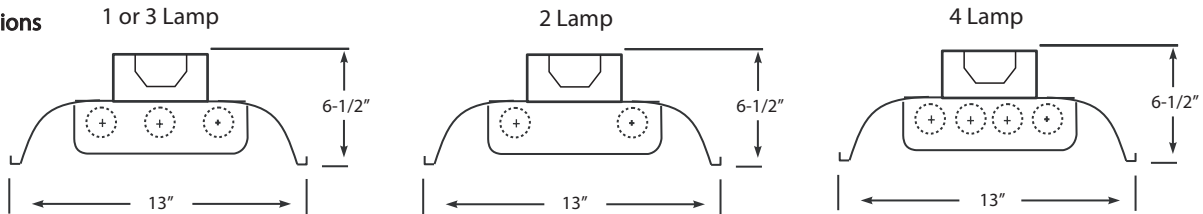
**REFLECTOR** – Die-embossed, heavy gauge, white-enamel painted steel reflectors with ribs for rigidity. 10% upright apertured or solid top reflector available.

**FINISH** – Multi-stage phosphate treated for maximum adhesion and rust resistance. Finished with high-gloss, baked white enamel.

**ELECTRICAL** – Energy efficient, thermally protected, Class P, HPF, sound rated A, UL Listed, electronic ballasts are standard on all models. Provided with ballast/luminaire disconnects for convenient installation.

**LISTINGS** – UL Listed (standard).

### Dimensions



Fixture overall length is 49-5/16".

### Ordering Matrix and Options

Example:

**TI UP10 232 UNV EB EM**

Series	Reflector Type	Lamp Type	Options
<b>TI</b> Turret Industrial <small>*Add "TAN" suffix for tandem</small>	<b>UP10</b> 10% upright apertured <b>ST</b> solid top	<b>28</b> 28w T5 (46") <b>32</b> 32w T8 (48") <b>54</b> 54w T5 HO (46") <b>59</b> 59w T8 (96") slimline <b>96T8HO</b> 86w T8 (96") high output	<b>EB</b> -electronic ballast, <10% THD <b>EB10IS</b> -electronic ballast, <10% THD, instant start <b>EB10RS</b> -electronic ballast, <10% THD, rapid start <b>EB2</b> -two electronic ballasts* <b>EM</b> -emergency battery pack <b>DIM</b> -dimmer ballast (electronic) <b>FALA12</b> -framed, pattern #A12, prismatic acrylic lens <b>BD</b> -ballast/luminaire disconnect <b>LPI ( )</b> -lamp included (specify lamp type and color) <small>(Consult factory for other options)</small> <small>See supplemental page for option details.</small> <small>*Single ballast standard unless this option selected.</small>
		<b># of Lamps</b> <b>1</b> 1 lamp <b>2</b> 2 lamp <b>3</b> 3 lamp <b>4</b> 4 lamp	<b>Voltage</b> <b>120</b> 120V <b>277</b> 277V <b>UNV</b> 120/277V <small>(Others available)</small>

Manufacturer reserves the right to make changes to specifications without notice.