



Project Name:	
Type:	Notes:
Catalog #:	

## Emergency Ballast Specifications

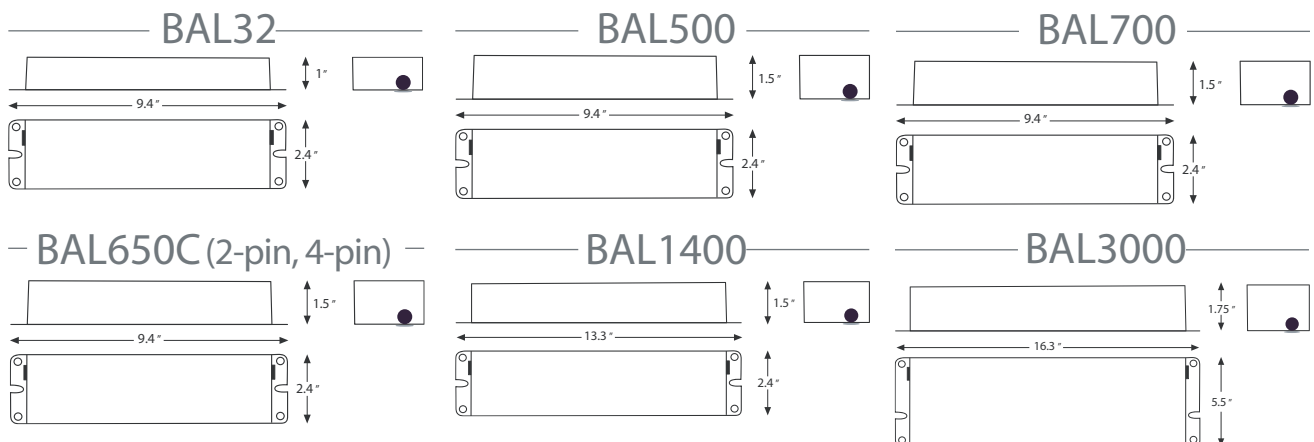
### LAMP COMPATIBILITY CHART

MODEL	BAL500	BAL650C-2	BAL700	BAL650C-4	BAL1400	BAL3000	Low-profile ballasts	
							BAL32	BAL-T5
Lumens	500	650	700	650	1400	3000	500	1300
<i>Linear Lamps</i>	<i>Number of lamps supported</i>							
2'-4' Rapid, Instant, or Energy Savings, T8-T12, HO, VHO	1		1 or 2		1 or 2	1 or 2	1 <i>(17W-32W only)</i>	1
2'-8' Rapid, Instant, or Energy Savings, Circline T8-T12, HO, VHO			1		1	1		
8W-28W – T5*	1		1		1 or 2	1 or 2	1	1
54W – T5HO					1 or 2	1 or 2		1
<i>Compact Fluorescent Lamps</i>	<i>Number of lamps supported</i>							
13W-39W Twin, Quad or Triple (4-pin)		1 (2-pin only)		1 or 2		1 or 2		
40W-42W Twin, Quad or Triple (4-pin)				1		1 or 2		
17W-40W 4-pin compact	1		1 or 2		1 or 2	1 or 2	1	1
40W-55W 4-pin compact			1		1	1		
<p>*The ballast may not fit in a typical T5 fixture and needs to be remotely mounted.            Other lamp types may operate with these ballasts. Please consult factory for compatibility.            All ballasts are standard with dual 120/277 Volt input.            Damp location listed (0°C to 50°C)</p>								

The BAL fluorescent emergency ballast allows the same fixture to be used for both normal and emergency operation.

In the event of a power failure, the BAL switches to the emergency mode and operates one or two of the existing lamps for a minimum of 90 minutes.

The unit contains a battery, charger and inverter circuit in a single package. The BAL can be mounted in the wireway or on top of the fixture, and is UL Listed for factory installation or retrofit applications.



Manufacturer reserves the right to make changes to specifications without notice.