

Project Name:	
Type:	Notes:
Catalog #:	

SQUARE STRAIGHT STEEL POLES

SSSP - Square Straight Steel Pole Series

- Square straight steel shaft
- One-piece construction with galvanized anchor bolts precorrected to correct spacing and template included.
- Stainless steel screws and nuts included.
- Finishes available in bronze, black and white.
- Drill mounting holes optional per user's specification.
- Base cover included.

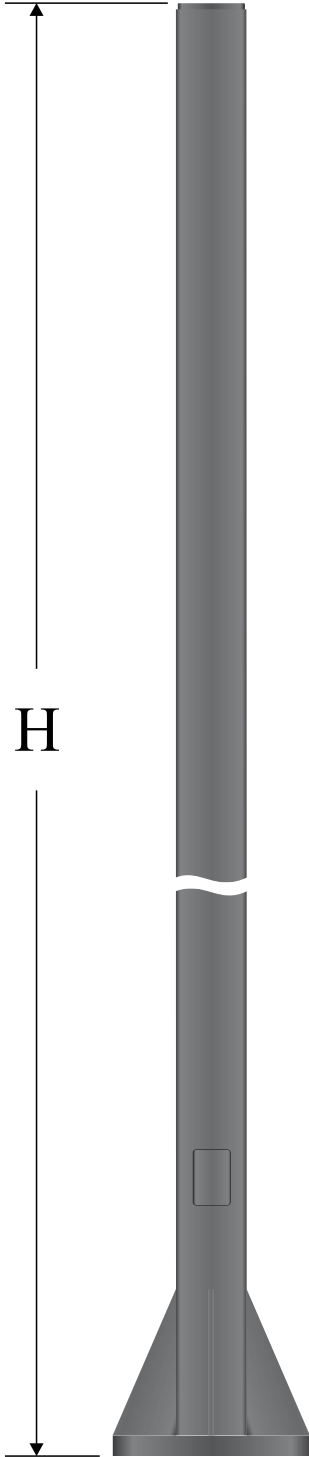
Ordering Information

SSSP - 12 - BN

Application
SSSP = Square Straight Steel Poles

Pole Height
12= 12' Tall 30= 30' Tall
14= 14' Tall 35= 35' Tall
20= 20' Tall 40= 40' Tall
25= 25' Tall

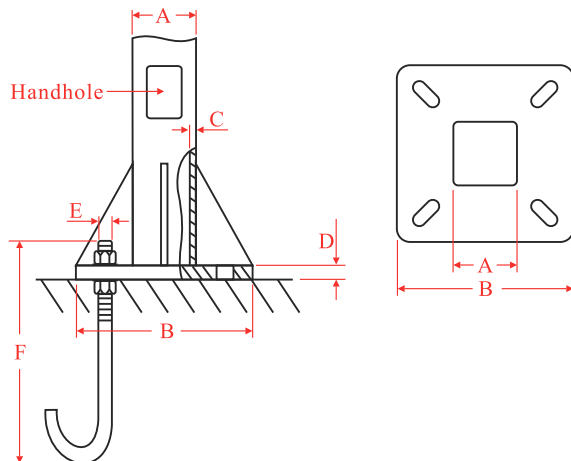
Finish
BN= Bronze
BK= Black
WT= White



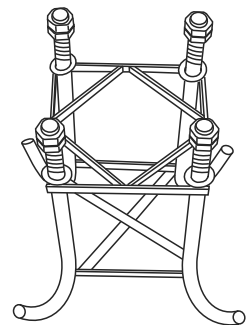
Pole Height H(ft)	Model	Shaft		Base		Anchor Bolt E x F (in)	Wind Load Rating * EPA 80MPH	Wind Load Rating * EPA 90MPH
		Width A(in)	Thk. C(ga)	Width B(in)	Thk. D(in)			
12	SSSP- 12- BN	4	11	9.5	0.79	0.79 x 17	23.0	18.0
14	SSSP- 14- BN	4	11	9.5	0.79	0.79 x 17	18.2	14.1
20	SSSP- 20- BN	4	11	9.5	0.79	0.79 x 17	9.5	6.9
25	SSSP- 25- BN	4	11	9.5	0.79	0.79 x 17	5.2	3.2
30	SSSP- 30- BN	5	07	11.0	1.00	0.79 x 17	11.6	7.9
35	SSSP- 35- BN	5	07	12.5	1.00	0.79 x 17	6.8	3.8
40	SSSP- 40- BN	6	07	12.5	1.00	0.79 x 17	8.5	4.5

* EPA in square feet.

Pole Base Detail



Bolt Cage



Manufacturer reserves the right to make changes to specifications without notice.