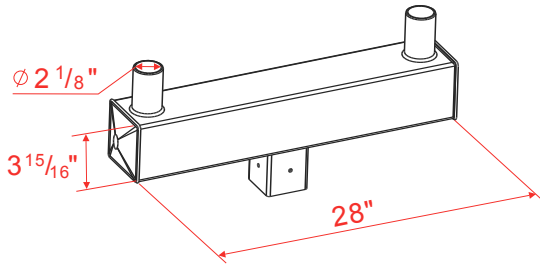


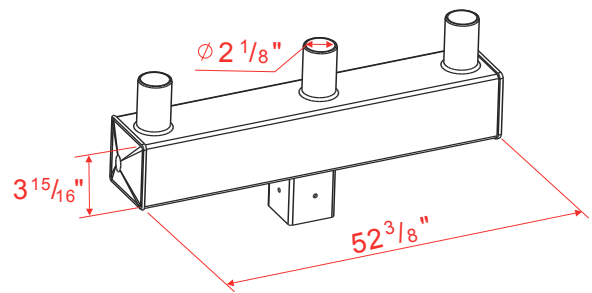
Project Name:	
Type:	Notes:
Catalog #:	

POLE MOUNTING ARMS

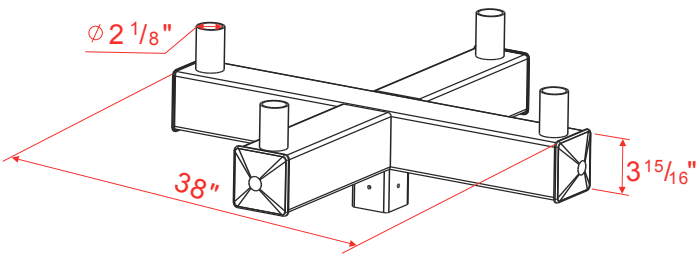
AR-SQ-TUBE-2RT



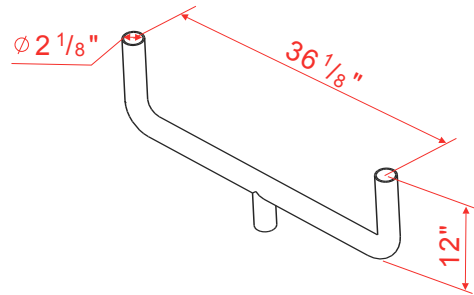
AR-SQ-TUBE-3RT



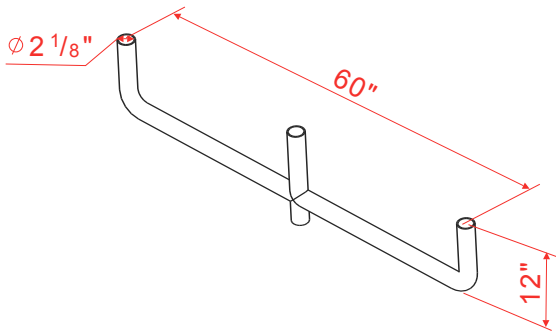
AR-SQ-TUBE-4RTX



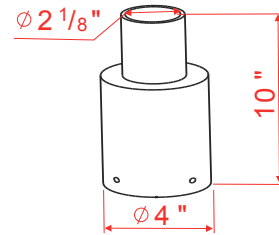
AR-HORN-2



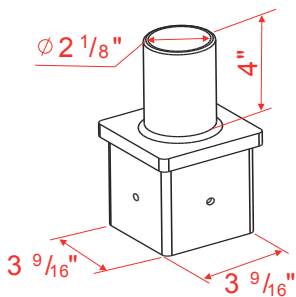
AR-HORN-3



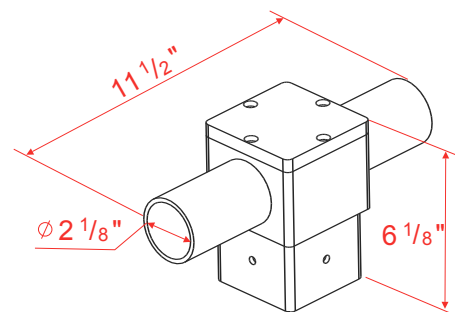
AR-RD-1TENON



AR-SQ-1



AR-SQ-2TENON180



OUTDOOR LIGHTING - POLE MOUNTING ARMS

Manufacturer reserves the right to make changes to specifications without notice.