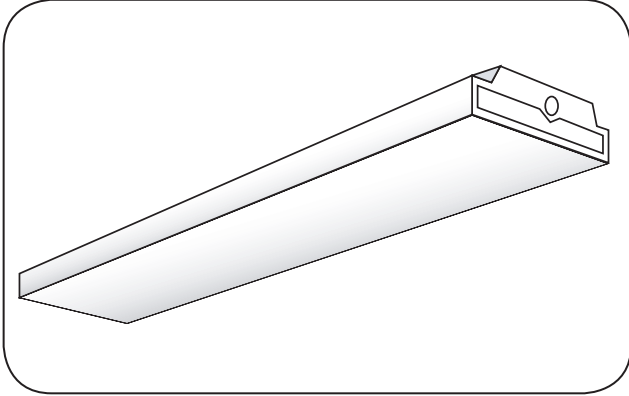


SW

Surface Mounted Wraparound

1, 2, 3 or 4 Lamps

Project Name:	
Type:	Notes:
Catalog #:	



FEATURES:

– For surface mounted general indoor applications, where low glare and ease of installation are required. Optimized performance for T8 lamp technology. Twist-lock lampholders are standard medium bi-pin T8 lamp models.

SPECIFICATIONS:

HOUSING – Heavy gauge, die-formed, cold-rolled steel. End caps are locked and secured to the housing and are suitable for individual or continuous row mounting.

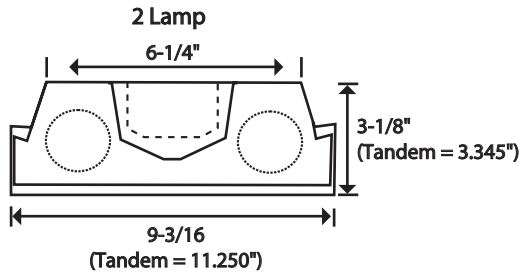
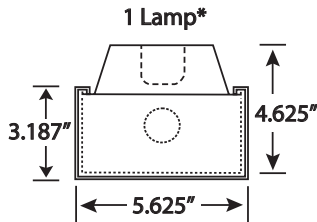
FINISH – Multi-stage phosphate treated for maximum adhesion and rust resistance. Finished with high-gloss, baked white enamel.

SHIELDING – Wrap-around, extruded clear acrylic prismatic lens with ribbed texture, designed for high efficiency and visual comfort. Diffuser hinges on either side in a lift and shift manner for ease of lamping and cleaning.

ELECTRICAL – Energy efficient, thermally protected, Class P, HPF, sound rated A, UL Listed, electronic ballasts are standard on all models. Provided with ballast/luminaire disconnect for convenient maintenance.

LISTINGS – UL Listed (standard).

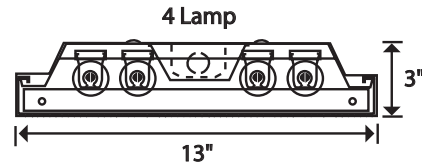
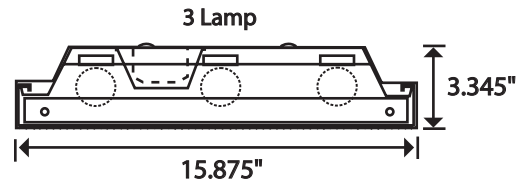
Dimensions



Fixture length is 48" and 96" on tandem type.

*2-lite available in 1-lite body.

*1-lite available in tandem configuration (Consult factory for more details).



Ordering Matrix and Options

SW
Series
SW Surface Wraparound
*Add "TAN" option for tandem

of Lamps
1 -1 lamp
2 -2 lamp
3 -3 lamp
4 -4 lamp

Lamp Type
28T5 28w T5 (46")
28T8 28w T8 (48")
32 32w T8 (48")
54 54w T5 HO (46")
(Consult factory for other options)

Voltage
120 120V
277 277V
UNV 120/277V
(Others available)

Example:

SW 232 UNV EB EM

Options
EB -electronic ballast, <10% THD
EB10IS -electronic ballast, <10% THD, instant start
EB10RS -electronic ballast, <10% THD, rapid start
EB2 -two electronic ballasts*
RES -residential (NPF) ballast (120V only)
EM -emergency battery pack
DIM -dimming ballast (electronic)
TL -twist-lock lamp sockets
LPI () -lamp included (specify lamp type and color)
(Consult factory for other options)
See supplemental page for option details.
*Single ballast standard unless this option selected.

Manufacturer reserves the right to make changes to specifications without notice.