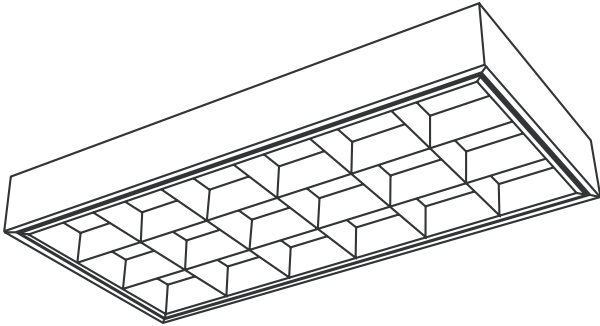


SP24

Surface Parabolic 2x4 Static Troffer

2, 3 or 4 Lamps

Project Name:	
Type:	Notes:
Catalog #:	



FEATURES:

– High performance, low brightness surface parabolic provide superior light control and excellent visual comfort for general applications. Optimized performance for T8 lamp technology. Twist-lock lampholders are standard.

SPECIFICATIONS:

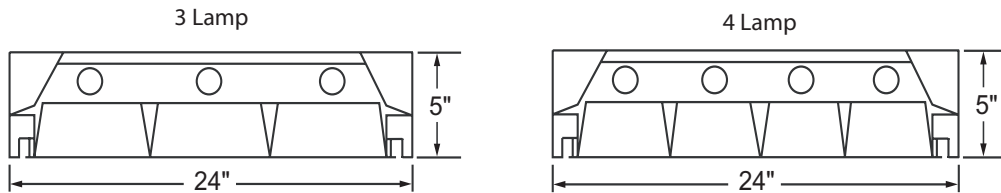
CONSTRUCTION – Heavy gauge, die-formed, cold-rolled steel. Black reveal provides “floating louver” appearance. Louvers are 3” deep, semi-specular, low-iridescence, anodized aluminum with standard cam latches and sturdy door hinges. Mounting holes provided within offset to prevent housing distortion. Knockouts provided on back of lighting fixture for convenient installation.

FINISH – Multi-stage phosphate treated for maximum adhesion and rust resistance. Finished with high-gloss, baked white enamel.

ELECTRICAL – Energy efficient, thermally protected, Class P, HPF, sound rated A, UL Listed, electronic ballasts are standard on all models. Provided with ballast/luminaire disconnect for convenient maintenance.

LISTINGS – UL Listed (standard).

Dimensions



Fixture length is 48".

Ordering Matrix and Options

Example:

SP24 S 332 18C LD UNV EB EM

SP24		S		Lamp Type		LD		Options	
Series		Air Function		Lamp Type		Louver Finish		Options	
SP24 2x4 Surface Parabolic		S static (no air function)		32 32w T8 (48")		LD semi-specular, low-iridescence, anodized aluminum		EB -electronic ballast, <10% THD EB10IS -electronic ballast, <10% THD, instant start EB10RS -electronic ballast, <10% THD, rapid start EB2 -two electronic ballasts* EM -emergency battery pack DIM -dimmer ballast (electronic) TL -twist-lock lamp sockets LPI () -lamp included (specify lamp type and color) <small>(Consult factory for other options) See supplemental page for option details. *Single ballast standard unless this option selected.</small>	
		# of Lamps		Cell Configuration				Voltage	
		2 2 lamp		18C 18 cell (3x6) - (3 lamp)				120 120V	
		3 3 lamp		24C 24 cell (3x8)* - (3 lamp)				277 277V	
		4 4 lamp		24C 24 cell (4x6)* - (4 lamp)				UNV 120/277V	
				32C 32 cell (4x8) - (4 lamp)				(Others available)	
				<small>(Consult factory for other lamps or cell configurations) * Specify cell configuration.</small>					

Manufacturer reserves the right to make changes to specifications without notice.