

SEN

Senator Pendant Series – Indirect Linear Architectural

Project:	
Type:	Catalog #:



FEATURES:

– For individual or continuous row, pendant mounting applications such as corridors, hospital corridors and small offices. Optimized performance for T5/T8 lamp technology. Twist-lock lampholders are standard.

SPECIFICATIONS:

HOUSING – Heavy 20 gauge, die-formed, cold-rolled steel. Perforated body is standard. Solid body is available.

FINISH – Multi-stage phosphate treated for maximum adhesion and rust resistance. Powder-coated white finish is standard. Other finishes are available.

REFLECTOR – Standard with enhanced aluminum silver reflector. White reflector is available.

ELECTRICAL – Energy efficient, thermally protected, Class P, HPF, sound rated A, UL Listed, electronic ballasts are standard on all models. Provided with ballast/luminaire disconnect for convenient maintenance.

LISTINGS – UL Listed (standard).

Ordering Matrix and Options

Example: **SEN P 232T8 4 UNV EB**

SEN P	Product Series SEN P = Senator Pendant Mount Series		# of Lamps (per Cross-section) 1 = 1-lite 2 = 2-lite 3 = 3-lite
	Lamp Type 28T5 = 28w T5 (46") 32T8 = 32w T8 (48") 54T5HO = 54w T5 HO (46")		Length 4 = 4 ft. (nominal) 8 = 8 ft. (nominal) ¹ 12 = 12 ft. (nominal) (T8 only) ¹ <small>¹ Lamping for 8 ft. and 12 ft. lengths are tandem configurations.</small>
	Distribution Type (blank) = Perforated Body SOL = Solid Body		Reflector (blank) = Aluminum Reflector WH = White Reflector
	Voltage 120 = 120V 277 = 277V UNV = 120 to 277V (Others available)		Ballast and Options EB = Electronic ballast, < 10% THD EB10IS = Electronic ballast, < 10% THD, instant start EB10RS = Electronic ballast, < 10% THD, rapid start EB2 = Two electronic ballasts* EM () = Emergency battery pack ¹ <small>(e.g. EM500 = 500 lumens; EM1400 = 1400 lumens)</small> DIM = Dimming ballast (electronic) BD = Ballast Disconnect LPI () = Lamp included (specify lamp type and color) <small>(Consult factory for other options and paint finishes.) See supplemental page for option and accessories. [*]Single ballast standard on 4 ft. models unless this option selected.</small>

Ordering Instructions

Individual Mounting:

1. Order number of UNITS required.
2. Order one END SET per UNIT.

Continuous Row Mounting:

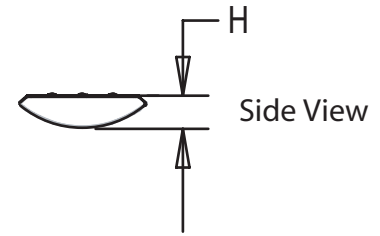
1. Determine run length.
2. Order the appropriate number of UNITS for the complete run.
3. Order one END SET per run.
(Joiner built into lighting fixture. No additional joiner accessories required.)

Manufacturer reserves the right to make changes to specifications without notice.

Project:	
Type:	Catalog #:

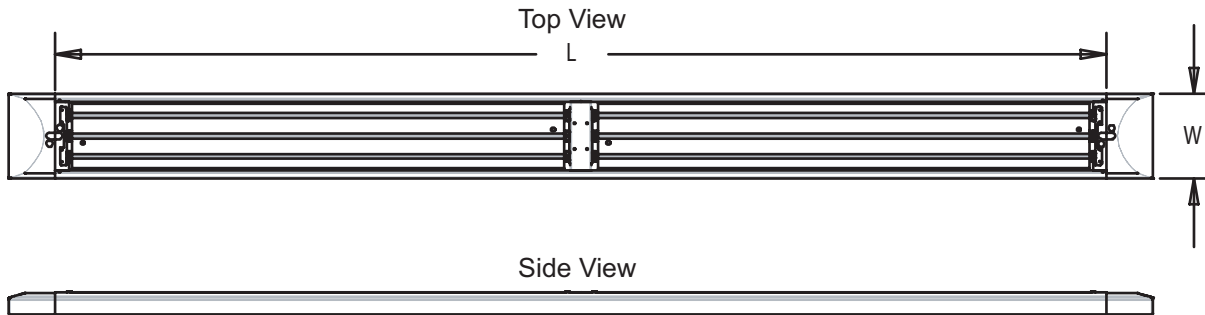
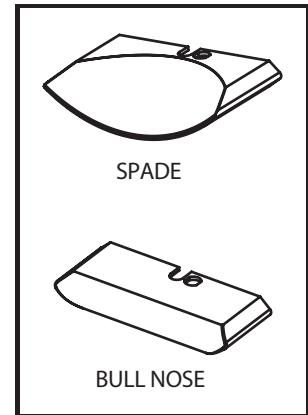
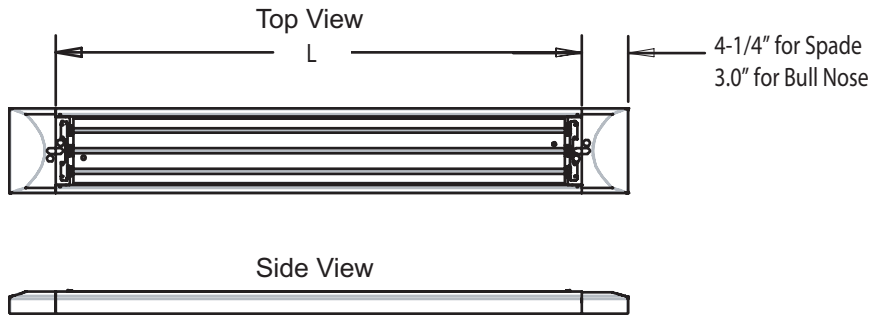
Dimensions

Size (Nominal)	# of Lamps	L	W	H
4 ft. (T5) ¹	1 to 3	48"	7-3/4"	2"
4 ft. (T8) ¹	2	48"	7-3/4"	2"
8 ft. (T5) ¹	2 to 6	96"	7-3/4"	2"
8 ft. (T8) ¹	4	96"	7-3/4"	2"
12 ft. (T8) ²	6	144"	7-3/4"	2"



¹ Add 3" to length for each Bull Nose End Cap.
Add 4-1/4" to length for each Spade End Cap.

² Available as special order.



Accessories

SENBNEC = Bull Nose End Cap set
SENSPEC = Spade End Cap set
(pair of left and right end caps to complete the run)²

² Purchase accessories separately.

SENBNEC



SENSPEC



Manufacturer reserves the right to make changes to specifications without notice.