

PVAN029 / PVAN030

Metallic Square Vanity Wall Bracket

Project:	
Type:	Catalog #:



PVAN029



PVAN030

FEATURES:

– For general and vanity wall-mounting applications. Optimized performance for T5 and T8 lamp technology. Twist-lock lampholders are standard on linear T5 and T8 models.

SPECIFICATIONS:

HOUSING – Heavy gauge, die-formed, cold-rolled steel back-plate housing with faux metallic end caps and matching full perimeter faux metallic outer trim or faux metallic edge trim. End caps are mounted to housing via end screws/fasteners.

DIFFUSER – White acrylic or clear acrylic (“glass-in-glass”) diffuser.

FINISH – Multi-stage phosphate treated for maximum adhesion and rust resistance. Available in various finishes.

ELECTRICAL – Energy efficient, thermally protected, Class P, HPF, sound rated A, UL Listed, electronic ballasts are standard on all models. Provided with ballast/luminaire disconnect for convenient maintenance.

LISTINGS – UL Listed (standard) for indoor and damp locations.

Ordering Matrix and Options

Example: PVAN030 24 217T8 WA AS UNV EB

Product Series
PVAN029 = Metallic square vanity wall bracket with full perimeter faux metallic outer trim.
PVAN030 = Metallic square vanity wall bracket with faux metallic edge trim.

Size (Nominal)
24 = 24"
36 = 36"
48 = 48"

of Lamps
1 = 1-lite
2 = 2-lite

Lamp Type
14T5 = 14w T5 (22.2")
17T8 = 17w T8 (24")
21T5 = 21w T5 (34")
25T8 = 25w T8 (36")
28T5 = 28w T5 (46")
32T8 = 32w T8 (48")
 (Consult factory for other options)

Diffuser Type
WA = White acrylic diffuser
CA = Clear acrylic diffuser

Finish
BN = Brushed Nickel
BB = Brushed Brass
BLK = Black
BRZ = Bronze
AS = Antique Silver
 (Consult factory for other options)

Voltage
120 = 120V
277 = 277V
UNV = 120 to 277V
 (Others available)

Ballast and Options
EB = Electronic ballast, < 10% THD
EB10IS = Electronic ballast, < 10% THD, instant start
EB10RS = Electronic ballast, < 10% THD, rapid start
EM () = Emergency battery pack¹
 (e.g. EM500 = 500 lumens; EM1400 = 1400 lumens)
BD () = Ballast disconnect (e.g. WAGO #873-902)
LPI () = Lamp included (specify lamp type and color)
 (Consult factory for other options)
 *Single ballast standard unless this option selected.
 See supplemental page(s) for option details.

Manufacturer reserves the right to make changes to specifications without notice.

PVAN029 / PVAN030

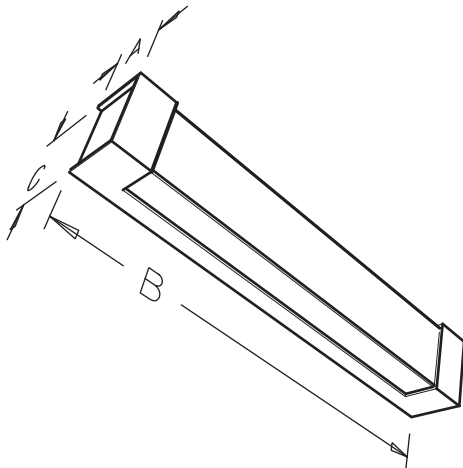
Metallic Square Vanity Wall Bracket

Project:	
Type:	Catalog #:

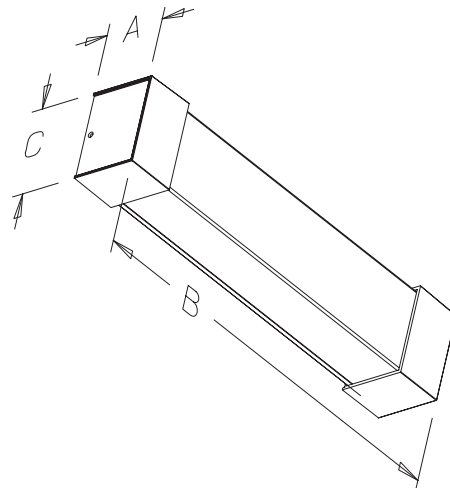
Dimensions

Fixture (Nominal) Size	A	B	C
24	4"	25"	5.35"
36	4"	37"	5.35"
48	4"	49"	5.35"

PVAN029



PVAN030



Manufacturer reserves the right to make changes to specifications without notice.